

Schindler 9500[®] Advanced Edition

Type 10 / 10°, 11°, 12°-K

Rise: max. 24'-7 1/4" at a pallet width of 40"

Balustrade: Design E/F

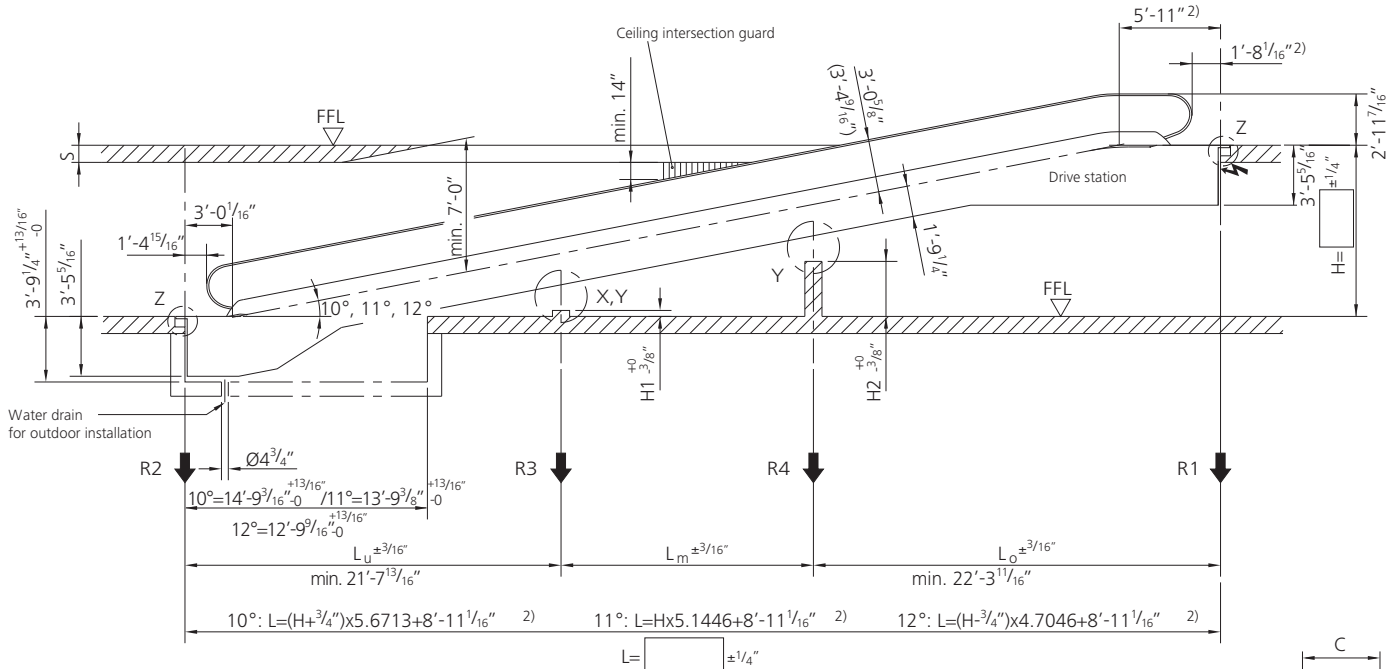
Balustrade Height: 2'-11 7/16"

Truss: standard

Inclination: 10°, 11°, 12°

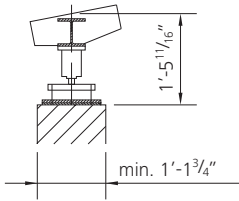
Pallet Width: 32"/40"

Horizontal pallet run: 1'-3 3/4"



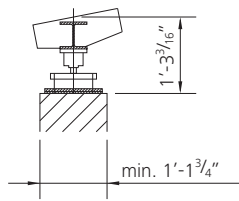
Detail X

(one intermediate support only)

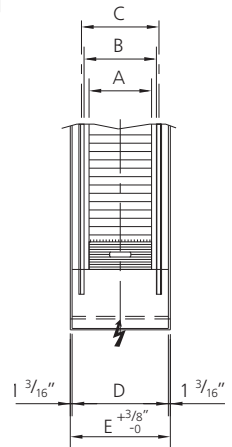
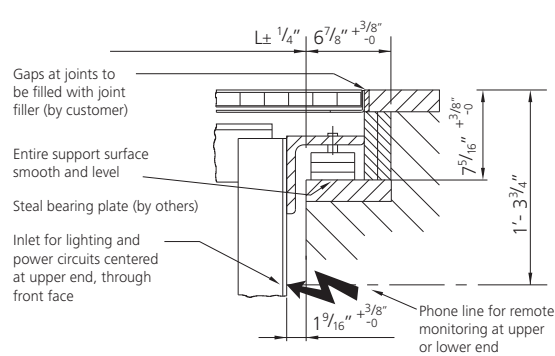


Detail Y

(for more than one intermediate support)



Detail Z



Nominal unit width		
40"	48"	
		1 INT
		10°: H1 = Lu x 0.1763 - 3'-9 11/16"
		11°: H1 = Lu x 0.1944 - 3'-10 5/16"
		12°: H1 = Lu x 0.2126 - 3'-10 15/16"
A:	2'-7 1/2"	3'-3 3/8"
B:	3'-1 11/16"	3'-9 9/16"
C:	3'-4 7/8"	4'-0 3/4"
D:	4'-4 3/4"	5'-0 9/8"
E:	4'-7 1/8"	5'-3"
		2 INT
		10°: H2 = H1 + Lm x 0.1763
		11°: H2 = H1 + Lm x 0.1944
		12°: H2 = H1 + Lm x 0.2126
Lmax.:¹⁾	53'-5 3/4"	49'-2 9/16"
Hmax.:	30'-6 1/8"	24'-7 1/4"

1) Calculated on the basis of a deflection of L/750

If L > Lmax., an intermediate support may be required; please consult Schindler Intermediate supports (R3) at distances of L/2

2) With a double drive, the truss must be extended by 1'-4 7/16"

3) Balustrade height 3'-3 3/8". Available upon request.

Dimensions shown are for U.S. applications. For specific requirements in Canada, please consult your local Canadian sales office. Subject to changes. INT = intermediate support



Schindler

Schindler 9500[®] Advanced Edition

Type 10 / 10°, 11°, 12°-K

Rise: max. 24'-7 1/4" at a pallet width of 40"

Balustrade: Design E/F

Balustrade Height: 2'-11 7/16"

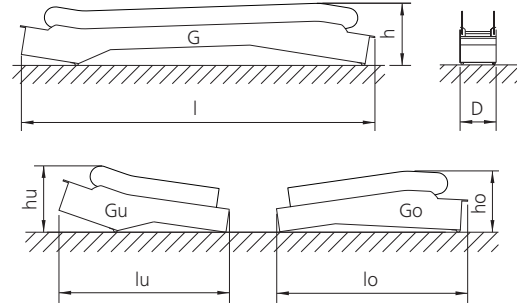
Truss: standard

Inclination: 10°, 11°, 12°

Pallet Width: 32"/40"

Horizontal pallet run: 1'-3 3/4"

Inclination	Rise H (ft)	Length L (ft)	Transport dimensions: balustrade height 48"					
			In one part h (ft) l (ft)*		In two parts			
			Bot. sect. height	Bot. sect. length	Top sect. height	Top sect. length		
10°	6'-0"	43'-3 9/16"	7'-8 1/2"	44'-10 9/16"	-	-	-	-
	8'-0"	54'-7 9/16"	7'-8 15/16"	56'-4 3/4"	6'-11 7/8"	28'-2 3/16"	7'-3 3/8"	28'-6 1/8"
	10'-0"	65'-11 3/4"	7'-8 15/16"	67'-10 15/16"	6'-11 7/16"	33'-10 11/16"	7'-4 9/16"	34'-3"
	12'-0"	77'-3 15/16"	7'-9 3/16"	79'-5 9/16"	6'-11 7/16"	39'-7 9/16"	7'-5 3/8"	40'-0 3/16"
	14'-0"	88'-7 15/16"	7'-9 3/16"	90'-11 3/4"	6'-11 7/16"	44'-4 1/2"	7'-6 3/16"	45'-9 3/16"
	16'-0"	100'-0 1/8"	7'-9 3/16"	102'-5 15/16"	6'-11 7/16"	51'-1 3/4"	7'-6 9/16"	51'-6 1/2"
18'-0"	-	-	-	-	-	-	-	
11°	6'-0"	39'-9 1/2"	7'-8 1/8"	41'-5 1/4"	7'-1 1/16"	20'-8 13/16"	7'-1 1/16"	21'-0 3/4"
	8'-0"	50'-0 13/16"	7'-8 1/2"	51'-10 13/16"	7'-0 1/4"	25'-11"	7'-3"	26'-3 3/4"
	10'-0"	60'-4 3/8"	7'-8 15/16"	62'-4 13/16"	6'-11 7/8"	31'-11 5/8"	7'-4 3/16"	31'-6 3/8"
	12'-0"	70'-7 15/16"	7'-9 3/16"	72'-10 13/16"	6'-11 7/16"	36'-4 1/4"	7'-5"	36'-9 9/16"
	14'-0"	80'-11 15/16"	7'-9 3/16"	83'-4 3/8"	6'-11 7/16"	41'-6 13/16"	7'-5 3/4"	41'-11 15/16"
	16'-0"	91'-2 13/16"	7'-9 3/16"	93'-10 3/8"	6'-11 7/16"	46'-9 9/16"	7'-6 3/16"	47'-2 15/16"
18'-0"	101'-6 3/16"	7'-9 3/16"	104'-3 15/16"	6'-11 7/16"	52'-0 7/16"	7'-6 9/16"	52'-5 15/16"	
12°	6'-0"	36'-10 3/8"	7'-8 1/8"	38'-6 3/8"	7'-1 1/16"	19'-3 7/8"	7'-0 1/4"	19'-7 13/16"
	8'-0"	46'-3 3/16"	7'-8 1/2"	48'-1 15/16"	7'-0 1/4"	24'-0 9/16"	7'-2 1/4"	24'-5 9/16"
	10'-0"	55'-8 3/16"	7'-8 15/16"	57'-9 11/16"	6'-11 7/16"	28'-9 11/16"	7'-3 13/16"	29'-3 3/16"
	12'-0"	65'-1 3/16"	7'-8 15/16"	67'-5 1/16"	6'-11 7/16"	33'-7 1/8"	7'-4 9/16"	34'-0 11/16"
	14'-0"	74'-5 15/16"	7'-9 3/16"	77'-0 7/16"	6'-11 7/16"	38'-4 5/8"	7'-5 3/8"	38'-10 9/16"
	16'-0"	83'-10 15/16"	7'-9 3/16"	86'-8 3/16"	6'-11 7/16"	43'-2 1/8"	7'-5 3/4"	43'-8"
18'-0"	96'-11 15/16"	7'-9 3/16"	96'-3 1/2"	6'-11 7/16"	48'-0"	7'-6 9/16"	48'-5 7/8"	



Inclination	Rise H (ft)	Length L (ft)	Pallet width: A = 32"						Pallet width: A = 40"							
			Weight (kips)			Reactions (kips)			Pmot (hp)	Weight (kips)			Reactions (kips)			Pmot (hp)
			Total wt.	Bot. sect. wt.	Top sect. wt.	R1	R2	R3	v = 100 fpm	Total wt.	Bot. sect. wt.	Top sect. wt.	R1	R2	R3	v = 100 fpm
10°	6'-0"	43'-3 9/16"	15.51	-	-	14.61	12.59	-	7.5	17.54	-	-	17.31	15.06	-	7.5
	8'-0"	54'-7 9/16"	17.76	7.87	9.89	8.54	6.74	17.31	7.5	18.88	8.54	10.34	9.67	7.64	20.46	7.5
	10'-0"	65'-11 3/4"	20.23	9.22	11.02	9.44	7.64	21.13	7.5	21.58	9.89	11.69	10.57	8.77	24.73	10.0
	12'-0"	77'-3 15/16"	22.71	10.34	12.36	10.57	8.54	24.73	10.0	24.05	11.02	13.04	11.69	9.89	29.00	15.0
	14'-0"	88'-7 15/16"	24.95	11.47	13.49	13.49	11.47	28.33	10.0	26.75	12.36	14.39	12.81	11.02	33.27	15.0
	16'-0"	100'-0 1/8"	29.45	13.71	15.74	13.04	11.24	32.60	15.0	-	-	-	-	-	-	-
18'-0"	-	-	-	-	-	-	-	-	-	-	-	-	-	-	-	
11°	6'-0"	39'-9 1/2"	14.61	6.29	8.32	13.94	11.69	-	7.5	16.64	7.42	9.22	16.41	13.94	-	7.5
	8'-0"	50'-0 13/16"	18.21	8.09	10.12	17.09	14.84	-	7.5	17.98	8.09	9.89	9.22	7.42	18.66	7.5
	10'-0"	60'-4 3/8"	19.11	8.54	10.57	8.9	7.19	19.33	7.5	20.23	9.22	11.02	10.12	8.32	22.71	10.0
	12'-0"	70'-7 15/16"	21.36	9.67	11.69	9.89	8.09	22.71	10.0	22.71	10.34	12.36	11.02	9.22	26.53	10.0
	14'-0"	80'-11 15/16"	23.38	10.79	12.59	10.79	8.99	25.85	10.0	24.95	11.47	13.49	12.14	10.34	30.35	15.0
	16'-0"	91'-2 13/16"	25.63	11.91	13.71	11.69	9.67	29.23	15.0	29.23	13.71	15.51	13.94	11.91	34.62	15.0
18'-0"	101'-6 3/16"	29.90	13.94	15.96	13.26	11.24	33.05	15.0	32.15	15.06	17.09	15.74	13.71	37.54	-	
12°	6'-0"	36'-10 3/8"	14.16	6.07	8.09	13.26	11.02	-	7.5	14.84	6.52	8.32	14.84	12.59	-	7.5
	8'-0"	46'-3 3/16"	17.31	7.64	9.67	16.19	13.94	-	7.5	18.21	8.09	10.12	18.21	15.96	-	7.5
	10'-0"	55'-8 3/16"	18.21	8.09	10.12	8.77	6.97	17.76	7.5	19.33	8.7	10.57	9.67	7.87	20.91	10.0
	12'-0"	65'-1 3/16"	20.01	8.99	11.02	9.44	7.64	20.91	10.0	21.36	9.67	11.69	10.57	8.77	24.50	10.0
	14'-0"	74'-5 15/16"	22.03	10.12	11.91	10.34	8.32	23.83	10.0	23.61	10.79	12.81	11.47	9.67	27.88	15.0
	16'-0"	83'-10 15/16"	24.05	11.02	13.04	11.02	9.22	26.98	15.0	25.63	11.91	13.71	12.36	10.57	31.47	15.0
18'-0"	96'-11 15/16"	26.08	12.14	13.94	11.91	9.89	29.90	15.0	29.67	13.94	15.74	14.16	12.14	35.52	15.0	

*l: max. transport length 62'.

For further information including location of the Schindler office nearest you, please visit:
www.us.schindler.com

North American Headquarters
 Morristown, New Jersey 07962-1935
 Tel. 973.397.6500



Schindler prints with soy ink on recycled paper.