

# Schindler 3300 MRL Traction Elevator

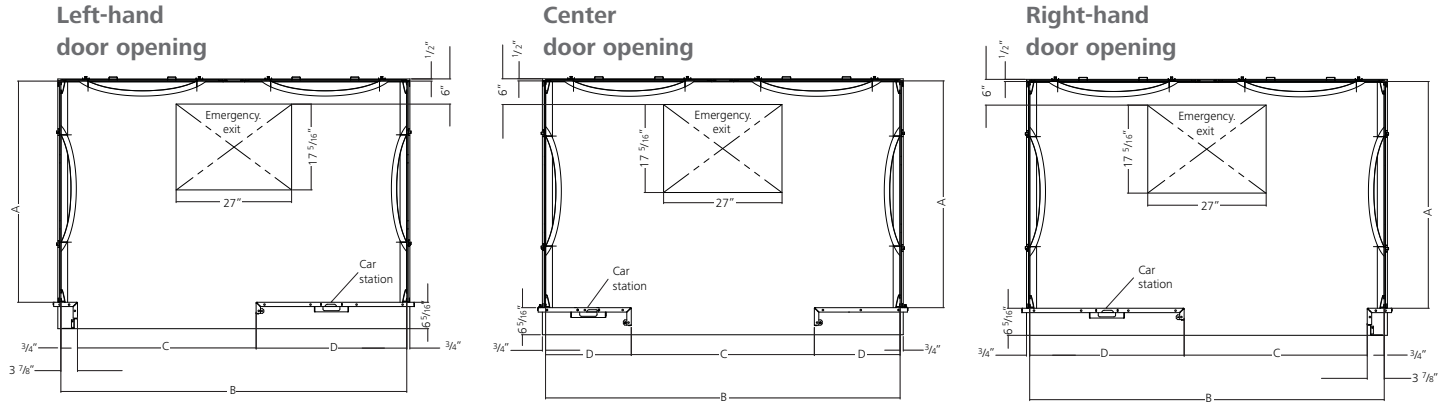
## General Purpose Cab Details



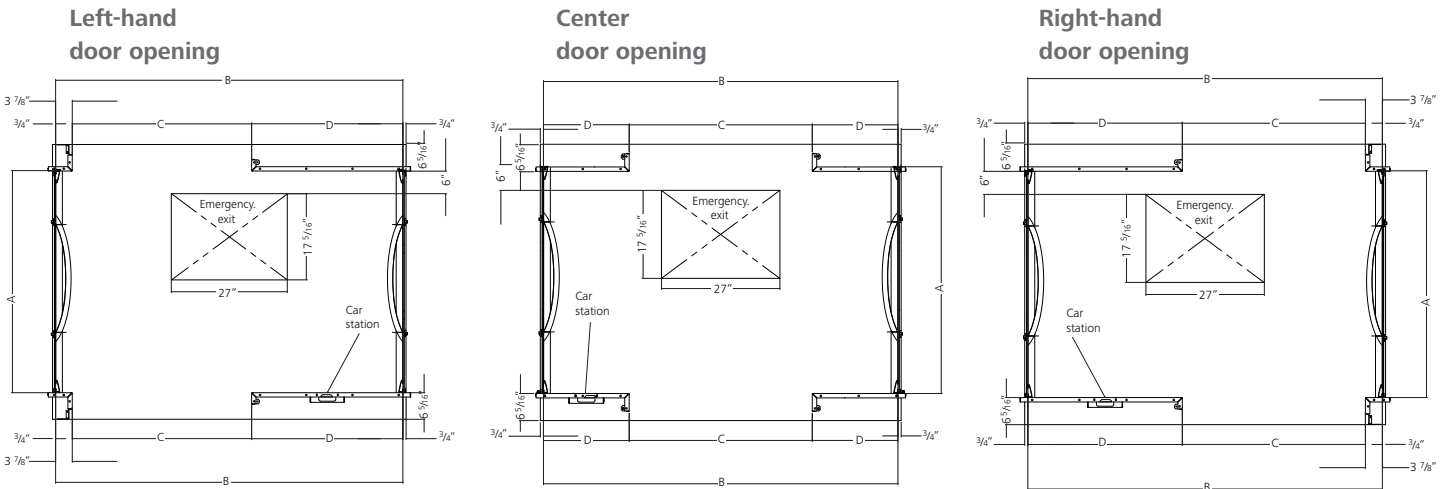
# Schindler 3300 MRL Traction Elevator

## General Purpose Cab Details

### Front opening



### Front/rear opening

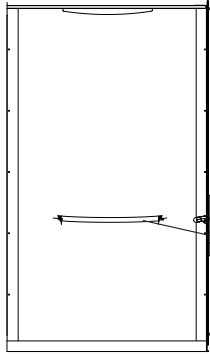


### Dimensions

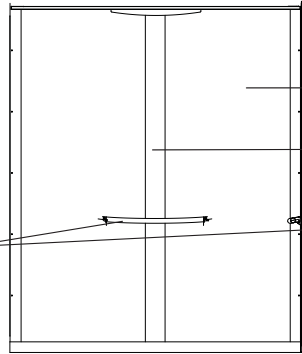
Capacity lbs (kg)	Door type	A Inside cab depth in (mm)	B Inside car width in (mm)	C Opening width in (mm)	D Inside cab front return in (mm)
2100 (950)	2SSO	52 7/8" (1343)	69 3/8" (1761)	36" (915)	29 1/2" (749)
2500 (1135)	2SSO	52 7/8" (1343)	81 3/8" (2066)	42" (1067)	35 1/2" (902)
	SSCO				19 11/16" (500)
3000 (1360)	2SSO	58 7/8" (1495)	81 3/8" (2066)	42" (1067)	35 1/2" (902)
	SSCO				19 11/16" (500)
3500 (1590)	2SSO	66 7/8" (1699)	81 3/8" (2066)	42" (1067)	35 1/2" (902)
	SSCO				19 11/16" (500)

**Wall assembly**

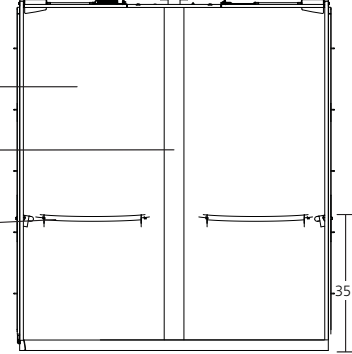
**Side wall assembly  
2100 lb./2500 lb.**



**Side wall assembly  
3000 lb./3500 lb.**



**Rear wall assembly  
Front opening only**

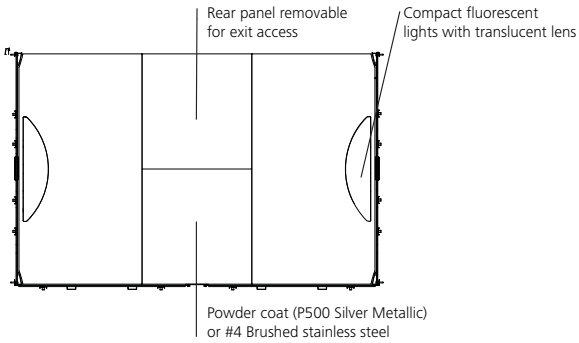


Stainless steel,  
plastic laminate  
or powder coat  
as required

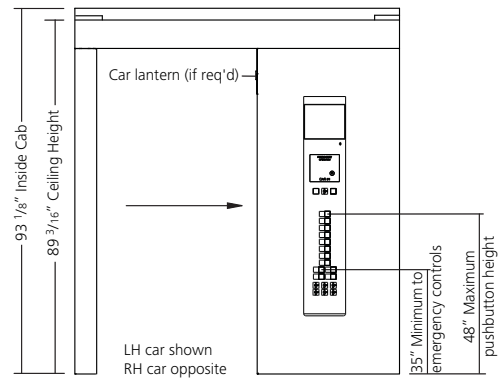
Anodized  
aluminum trim

Handrail  
(as required)

**Ceiling view**



**Front view**



# Schindler 3300 MRL Traction Elevator

## General Purpose Cab Details

### Approvals

Project \_\_\_\_\_ Approved \_\_\_\_\_

Location \_\_\_\_\_ Date \_\_\_\_\_

Contract # \_\_\_\_\_

### Schindler 3300 cab front and door finish

#4 Brushed stainless steel.

### Schindler 3300 cab wall finish

Powder coat (color) \_\_\_\_\_

Plastic laminate (color) \_\_\_\_\_

#4 Brushed stainless steel.

### Schindler 3300 cab ceiling

Powder coat (P500 Silver Metallic)

#4 Brushed stainless steel.

### Schindler 3300 handrails

Powder coat

Brushed aluminum

Polished aluminum.

Rear wall only

Side wall only

Both rear and side walls.

### Schindler 3300 corners and skirting

Anodized aluminum

Silver painted plastic.

### Schindler 3300 doors and car lantern

#### Doors

Left-hand opening

Right-hand opening

Center opening.

**Car lantern:** not required if lanterns are supplied in hallway.

Yes. How many? (1 or 2; 2 can be provided with center opening doors) \_\_\_\_\_

No.

For more information, including the location of the Schindler office nearest you, please visit:

U.S. Headquarters. Morristown, New Jersey

Tel. 973.397.6500

[www.us.schindler.com](http://www.us.schindler.com)

Canada Headquarters. Toronto, Ontario

Tel. 416.332.8280

[www.ca.schindler.com](http://www.ca.schindler.com)



Schindler is a member organization of the U.S. Green Building Council.



Schindler has received renewal to ISO 9001 and ISO 14001 certificates.



Schindler prints with vegetable-based ink on paper containing post-consumer waste fiber.