

Schindler 2400/2500/2600

Planning data according to EN81-20



Planning Data

As of 1st September 2017 all installed elevators must comply with EN81-20. Please contact us for any further questions.

| Drive | Load capacity | | Speed | | Travel height max. | | Number of stops max. | | Nominal rating | | Nominal current | | | Car | | | Door | | | Shaft | |
|------------------------------|---------------|--------------------|------------|-----------------------|--------------------|-------------------------|------------------------|------------------------|------------------------|------------------------|-----------------|------------------------|------------------------|-----------|-----------|--|------|--|--|-------|--|
| | GQ kg | Passengers max. | VKN m/s | HQ ²⁾ m | ZE | PMN ³⁾ kW | INN ³⁾ A | BK ⁴⁾ mm | TK ⁴⁾ mm | HK ⁴⁾ mm | Type | BT ⁵⁾ mm | HT ⁵⁾ mm | HSG mm | HSK mm | | | | | | |
| Traction¹⁾ | 1000 | 13 | 1.0 | 50 | 21 | 10.8 | 23 | 1000–1600 | 1400–2300 | 2100–2500 | T2/C2/C4 | 900–1600 | 2000–2400 | 1500 | HK + 1700 | | | | | | |
| | | | 1.6 | 65 | | 18.9 | 30 | | | | | | | 1700 | HK + 1900 | | | | | | |
| | 1275 | 17 | 1.0 | 50 | 21 | 10.8 | 29 | 1100–1800 | 1500–2600 | 2100–2500 | T2/C2/C4 | 900–1800 | 2000–2400 | 1500 | HK + 1700 | | | | | | |
| | | | 1.6 | 65 | | 18.9 | 36 | | | | | | | 1700 | HK + 1900 | | | | | | |
| | 1600 | 21 | 1.0 | 50 | 21 | 10.8 | 30 | 1200–2100 | 1500–2900 | 2100–2500 | T2/C2/C4 | 900–2100 | 2000–2400 | 1500 | HK + 1700 | | | | | | |
| | | | 1.6 | 65 | | 22.8 | 43 | | | | | | | 1700 | HK + 1900 | | | | | | |
| | 2000 | 26 | 1.0 | 50 | 21 | 14.2 | 37 | 1400–2300 | 1650–2900 | 2100–2500 | T2/C2/C4/C6 | 900–2300 | 2000–2400 | 1500 | HK + 1700 | | | | | | |
| | | | 1.6 | 50 | | 22.8 | 49 | | | | | | | 1700 | HK + 1900 | | | | | | |
| | 2500 | 33 | 1.0 | 50 | 21 | 25.0 | 43 | 1400–2300 | 2050–3500 | 2100–2500 | T2/C2/C4/C6 | 900–2300 | 2000–2400 | 1600 | HK + 1700 | | | | | | |
| | 3000 | 39 | 1.0 | 24 | 21 | 25.0 | 49 | 1500–2300 | 2350–3800 | 2100–2500 | C2/C4/C6 | 1000–2300 | 2000–2400 | 1600 | HK + 1700 | | | | | | |
| | 3200 | 42 | 1.0 | 24 | 21 | 25.0 | 49 | 1700–2400 | 2350–3500 | 2100–2500 | C2/C4/C6 | 1200–2400 | 2000–2400 | 1600 | HK + 1700 | | | | | | |
| | 3500 | 46 | 1.0 | 24 | 21 | 25.0 | 53 | 1800–2400 | 2550–3600 | 2100–2500 | C4/C6 | 1400–2400 | 2000–2400 | 1600 | HK + 1700 | | | | | | |
| | 4000 | 53 | 0.8 | 24 | 21 | 22.8 | 53 | 1800–2500 | 2800–4000 | 2100–2500 | C4/C6 | 1400–2500 | 2000–2400 | 1600 | HK + 1700 | | | | | | |

GQ Load capacity
VKN Speed
HQ Travel height
ZE Number of stops
PMN Nominal rating
INN Nominal current

¹⁾ With or without machine room
²⁾ Higher travel heights up to 50 meters on request
³⁾ Maximum values

BK Car width
TK Car depth
HK Car height

⁴⁾ Car dimensions in 50 mm increments, the maximum allowed car area according to EN81 must be considered

T2 Telescopic door, two-part
C2 Center-opening telescopic door (two-part)
C4 Center-opening telescopic door (four-part)
C6 Center-opening telescopic door (six-part)
BT Door width
HT Door height

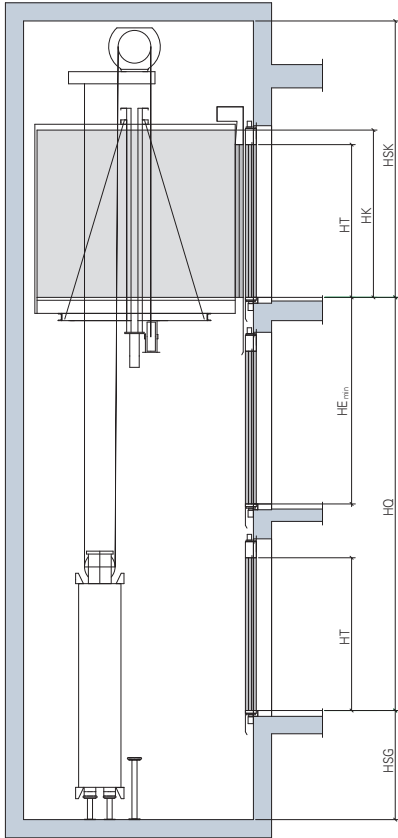
⁵⁾ Door dimensions in 100 mm increments

HSG Shaft pit depth
HSK Clear overhead below lifting beam

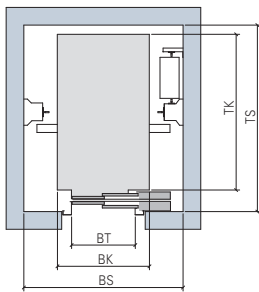
Max. number of entrances: 2, opposing
Number of rides (rope): 180 per hour
Power supply: 400 V; optional 230 V

Schindler 2400 and 2500 elevators are not designed for trolleys with heavy loads.

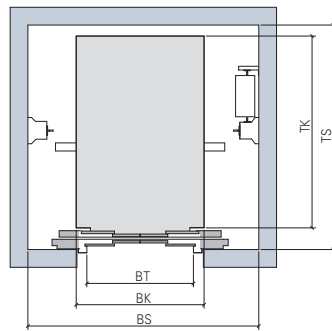
Height and plan view



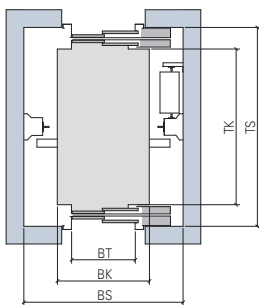
One-sided entrance



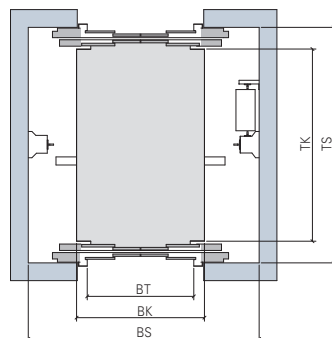
One-sided entrance
Telescopic door



One-sided entrance
Center-opening telescopic door (four-part)



Two-sided entrance
Telescopic door



Two-sided entrance
Center-opening telescopic door (four-part)

When vision meets discipline. Schindler partners with Solar Impulse.



Schindler is a main partner of **Solar Impulse**, the zero fuel airplane aiming to fly around the world propelled only by solar energy.



**Find more information on
Schindler products.**

Just scan the code with your mobile phone,
using free QR code scanner software.
This is either pre-installed on your phone or
easily downloadable for free.