

# Schindler 9500<sup>®</sup> Advanced Edition

## Type 15 / 10°, 11°, 12°-M

**Rise:** max. 24'-7 1/4" at a pallet width of 40"

**Balustrade:** Design E/F

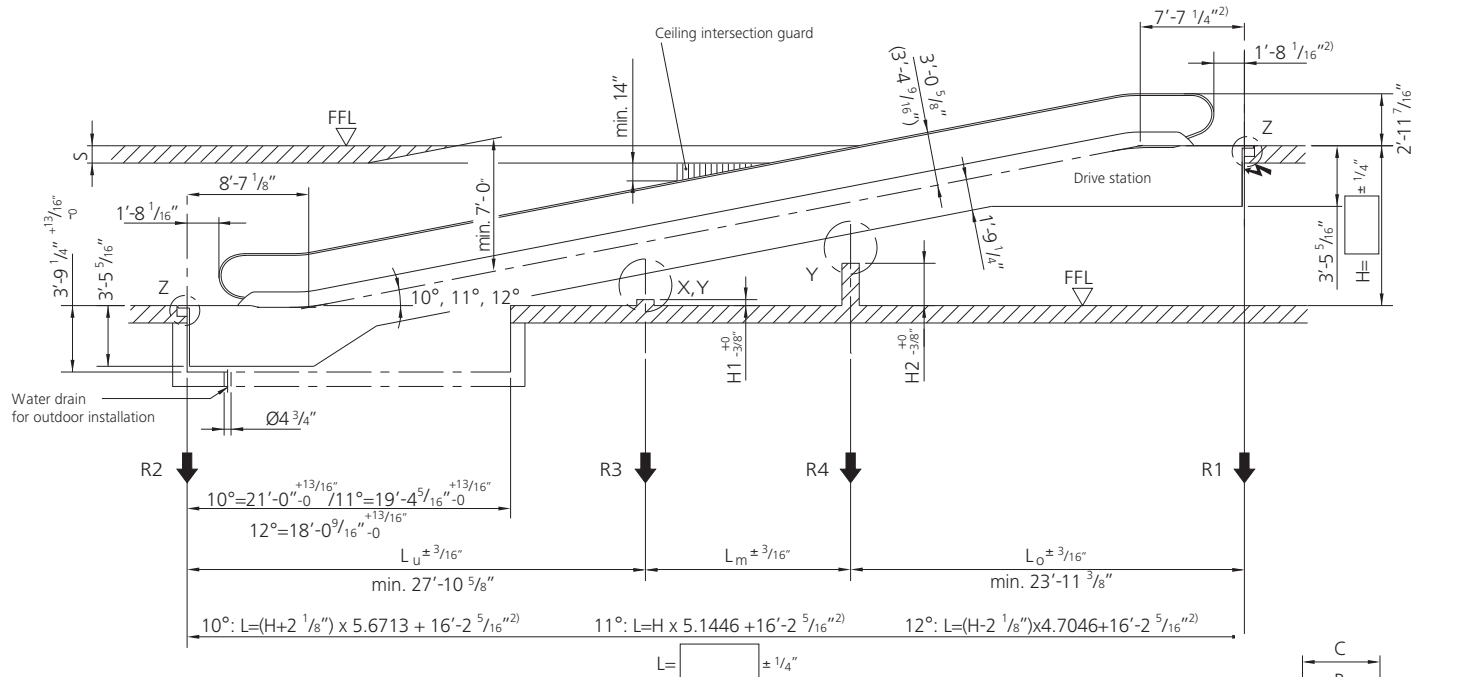
**Balustrade Height:** 2'-11 7/16"

**Truss:** standard

**Inclination:** 10°, 11°, 12°

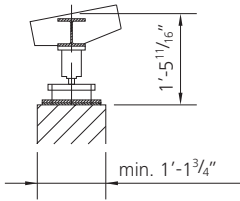
**Pallet Width:** 32"/40"

**Horizontal pallet run:** 3'-0"



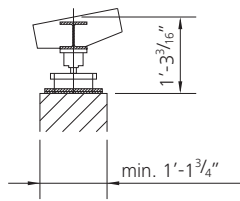
### Detail X

(one intermediate support only)

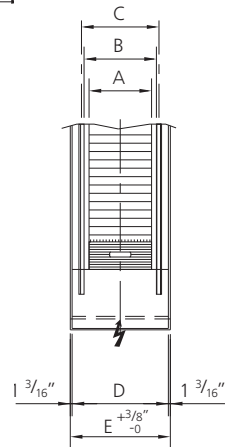
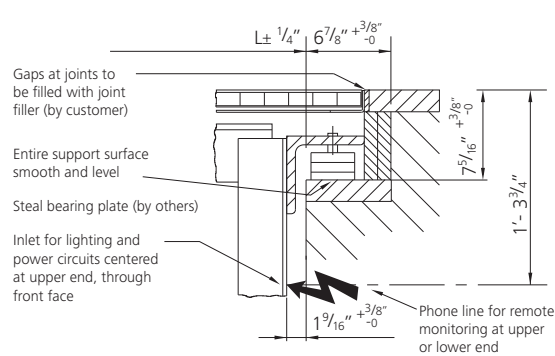


### Detail Y

(for more than one intermediate support)



### Detail Z



Nominal unit width		1 INT
40"	48"	
<b>A:</b>	2'-7 1/2"	3'-3 3/8"
<b>B:</b>	3'-1 11/16"	3'-9 9/16"
<b>C:</b>	3'-4 7/8"	4'-0 3/4"
<b>D:</b>	4'-4 3/4"	5'-0 5/8"
<b>E:</b>	4'-7 1/8"	5'-3"
<b>Lmax.:<sup>1)</sup></b>	53'-5 3/4"	49'-2 9/16"
<b>Hmax.:</b>	30'-6 1/8"	24'-7 1/4"

- 1) Calculated on the basis of a deflection of L/750  
If L > Lmax., an intermediate support may be required; please consult Schindler Intermediate supports (R3) at distances of L/2
- 2) With a double drive, the truss must be extended by 1'-4 7/16"
- 3) Balustrade height 3'-3 3/8". Available upon request.

Dimensions shown are for U.S. applications. For specific requirements in Canada, please consult your local Canadian sales office. Subject to changes. INT = intermediate support



**Schindler**

# Schindler 9500<sup>®</sup> Advanced Edition

## Type 15 / 10°, 11°, 12°-M

**Rise:** max. 24'-7 1/4" at a pallet width of 40"

**Truss:** standard

**Pallet Width:** 32"/40"

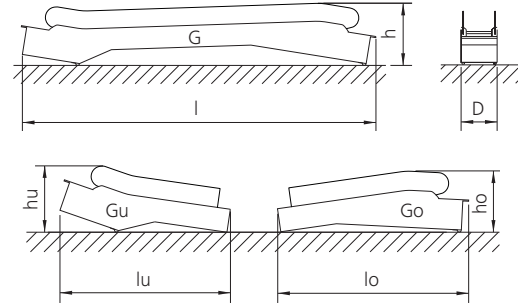
**Balustrade:** Design E/F

**Inclination:** 10°, 11°, 12°

**Horizontal pallet run:** 3'-0"

**Balustrade Height:** 2'-11 7/16"

Inclination	Rise H (ft)	Length L (ft)	Transport dimensions: balustrade height 48"					
			In one part		In two parts			
			h (ft)	l (ft)*	Bot. sect. height	Bot. sect. length	Top sect. height	Top sect. length
10°	6'-0"	51'-2 15/16"	7'-11 1/4"	52'-9 1/16"	—	—	—	—
	8'-0"	62'-6 1/8"	8'-0 1/16"	64'-3 3/4"	8'-3 3/16"	31'-11 1/16"	7'-5 3/4"	32'-6 3/16"
	10'-0"	73'-11 1/8"	8'-0 7/16"	75'-9 1/16"	8'-2 7/16"	37'-8 3/8"	7'-6 15/16"	38'-3 1/16"
	12'-0"	85'-3 3/16"	8'-0 7/16"	87'-3 3/8"	8'-1 1/8"	43'-5 1/4"	7'-7 3/4"	43'-11 15/16"
	14'-0"	96'-7 1/4"	8'-0 7/16"	98'-9 13/16"	8'-1 1/4"	49'-2 3/16"	7'-8 1/2"	49'-9 1/4"
	18'-0"	—	—	—	—	—	—	—
11°	6'-0"	47'-0 3/4"	7'-8 7/8"	48'-7 7/16"	8'-5 3/16"	24'-1 3/8"	7'-2 3/8"	24'-8 7/8"
	8'-0"	57'-4 1/8"	7'-8 11/16"	59'-1 1/16"	8'-3 3/8"	29'-3 15/16"	7'-5"	29'-11 7/16"
	10'-0"	67'-7 7/16"	8'-0 1/16"	69'-7 1/16"	8'-2 13/16"	34'-6 3/16"	7'-6 3/16"	35'-2 1/16"
	12'-0"	77'-11 1/4"	8'-0 7/16"	80'-0 3/8"	8'-2 1/16"	39'-9 3/16"	7'-7 5/16"	40'-5 1/16"
	14'-0"	88'-2 3/16"	8'-0 7/16"	90'-6 3/8"	8'-1 3/8"	45'-0 3/16"	7'-8 1/8"	45'-8 1/16"
	18'-0"	—	—	—	—	—	—	—
12°	6'-0"	43'-7"	7'-10 7/8"	45'-2 1/8"	8'-5 15/16"	22'-4 1/2"	7'-1 13/16"	23'-0 3/8"
	8'-0"	52'-11 3/4"	7'-11 1/4"	54'-9 1/2"	8'-4 3/8"	27'-2"	7'-4 3/16"	27'-9 7/8"
	10'-0"	62'-4 3/4"	8'-0 1/16"	64'-4 13/16"	8'-3 3/16"	31'-11 7/16"	7'-5 3/4"	32'-7 3/4"
	12'-0"	71'-9 3/4"	8'-0 1/16"	74'-0 3/16"	8'-2 7/16"	36'-8 15/16"	7'-6 15/16"	37'-5 7/16"
	14'-0"	81'-2 3/16"	8'-0 1/16"	83'-7 7/16"	8'-2 1/16"	41'-6 3/16"	7'-7 3/4"	42'-2 1/16"
	18'-0"	—	—	—	—	—	—	—



Inclination	Rise H (ft)	Length L (ft)	Pallet width: A = 32"						Pallet width: A = 40"							
			Weight (kips)			Reactions (kips)			Pmot (hp)	Weight (kips)			Reactions (kips)			Pmot (hp)
			Total wt.	Bot. sect. wt.	Top sect. wt.	R1	R2	R3	v = 100 fpm	Total wt.	Bot. sect. wt.	Top sect. wt.	R1	R2	R3	v = 100 fpm
10°	6'-0"	51'-2 15/16"	19.11	—	—	17.09	15.96	—	7.5	—	—	—	—	—	—	—
	8'-0"	62'-6 1/8"	20.23	9.22	11.02	9.44	7.42	20.46	7.5	21.36	9.67	11.69	10.34	8.54	23.83	7.5
	10'-0"	73'-11 1/8"	22.48	10.34	12.14	10.34	8.34	24.05	7.5	24.05	11.02	13.04	11.47	9.67	28.10	10.0
	12'-0"	85'-3 3/16"	24.95	11.47	13.49	11.24	9.44	27.65	10.0	26.53	12.36	14.16	12.59	10.79	32.37	15.0
	14'-0"	96'-7 1/4"	27.43	12.81	14.61	12.14	10.34	31.25	10.0	31.02	14.61	16.41	14.39	12.59	37.09	15.0
	18'-0"	—	—	—	—	—	—	—	—	—	—	—	—	—	—	—
11°	6'-0"	47'-0 3/4"	18.21	8.09	10.12	16.19	14.84	—	7.5	19.11	8.54	10.57	18.21	17.09	—	7.5
	8'-0"	57'-4 1/8"	19.21	8.54	10.57	8.99	7.19	18.66	7.5	20.23	9.22	11.02	9.89	8.09	21.81	7.5
	10'-0"	67'-7 7/16"	21.13	9.67	11.47	9.89	7.87	22.03	7.5	22.71	10.34	12.36	11.02	8.99	25.85	10.0
	12'-0"	77'-11 1/4"	23.38	10.79	12.59	10.57	8.77	25.40	10.0	24.95	11.47	13.49	11.91	10.12	29.67	10.0
	14'-0"	88'-2 3/16"	25.63	11.91	13.71	11.47	9.67	28.55	10.0	27.20	12.59	14.61	13.04	11.02	33.50	15.0
	18'-0"	—	—	—	—	—	—	—	—	—	—	—	—	—	—	—
12°	6'-0"	43'-7"	17.31	7.64	9.67	15.29	13.94	—	7.5	18.43	8.32	10.12	17.31	15.96	—	7.5
	8'-0"	52'-11 3/4"	19.56	8.77	10.79	17.54	16.41	—	7.5	19.33	8.77	10.57	9.44	7.64	20.23	7.5
	10'-0"	62'-4 3/4"	20.23	9.22	11.02	9.44	7.42	20.46	7.5	21.36	9.67	11.69	10.34	8.54	23.83	10.0
	12'-0"	71'-9 3/4"	22.26	10.12	12.14	10.12	8.32	23.38	10.0	23.61	10.79	12.81	11.47	9.44	27.43	10.0
	14'-0"	81'-2 3/16"	24.05	11.02	13.04	11.02	8.99	26.53	10.0	25.85	11.91	13.94	12.36	10.34	30.80	15.0
	18'-0"	—	—	—	—	—	—	—	—	29.67	13.94	15.74	13.94	11.91	34.85	15.0

\*l: max. transport length 62'.

For further information including location of the Schindler office nearest you, please visit:  
[www.us.schindler.com](http://www.us.schindler.com)

North American Headquarters  
 Morristown, New Jersey 07962-1935  
 Tel. 973.397.6500



Schindler prints with soy ink on recycled paper.