

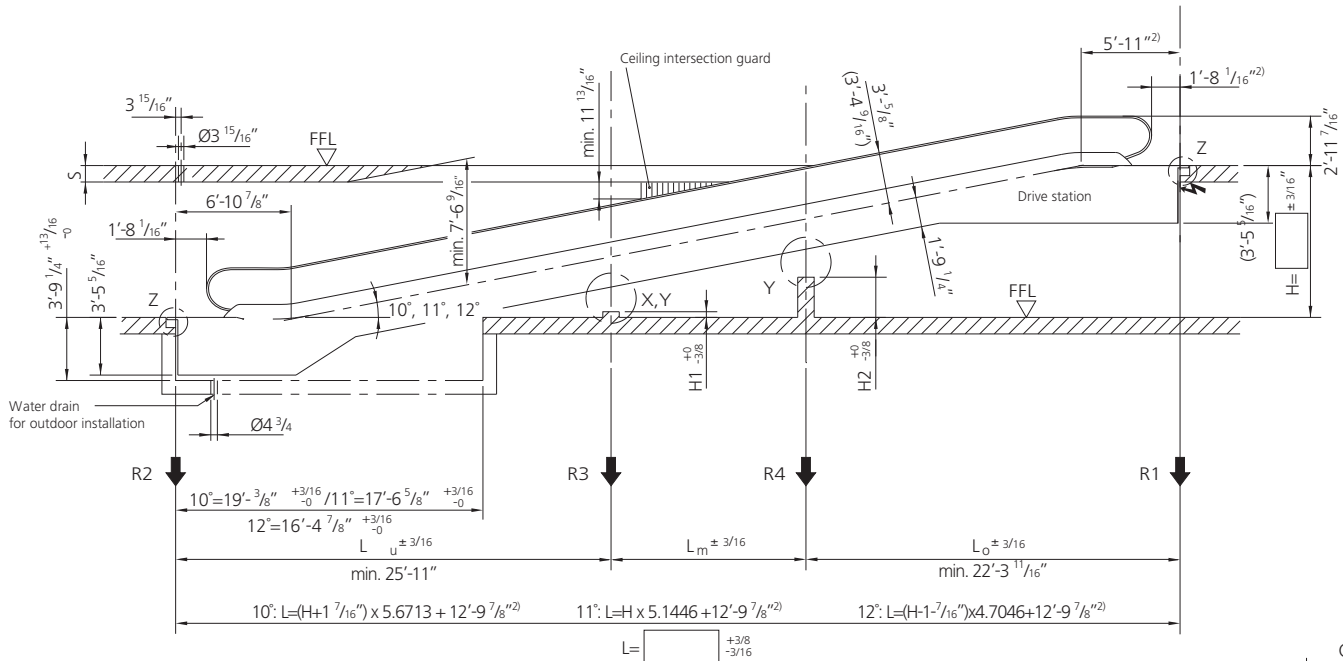
# Schindler 9500<sup>®</sup> Advanced Edition

## Type 15 / 10°, 11°, 12°-K

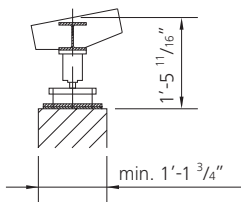
**Rise:** max. 24'-7 1/4" at a pallet width of 40"  
**Balustrade:** Design E/F  
**Balustrade Height:** 2'-11 7/16"

**Truss:** standard  
**Inclination:** 10°, 11°, 12°

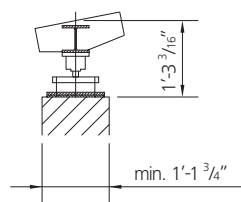
**Pallet Width:** 32"/40"  
**Horizontal pallet run:** 1'-3 3/4"



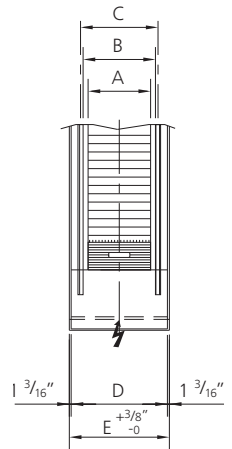
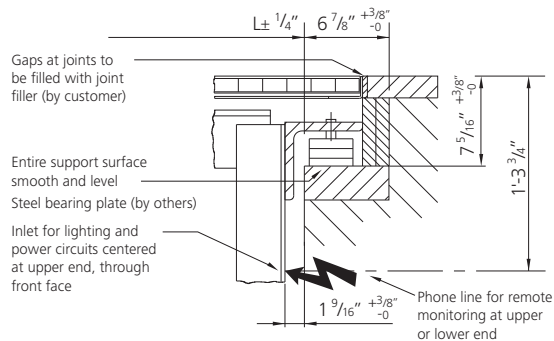
**Detail X**  
(one intermediate support only)



**Detail Y**  
(for more than one intermediate support)



**Detail Z**



	Nominal unit width		
	40"	48"	
<b>A:</b>	2'-7 1/2"	3'-3 3/8"	<b>1 INT</b>
	3'-1 11/16"	3'-9 9/16"	10°: H1 = Lu x 0.1763 - 4'-6 11/16"
	3'-4 7/8"	4'-0 3/4"	11°: H1 = Lu x 0.1944 - 4'-7 7/16"
<b>B:</b>	3'-1 11/16"	3'-9 9/16"	12°: H1 = Lu x 0.2126 - 4'-8 3/16"
	3'-4 7/8"	4'-0 3/4"	<b>2 INT</b>
	3'-4 7/8"	4'-0 3/4"	10°: H1 = Lu x 0.1763 - 4'-4 1/8"
<b>C:</b>	3'-4 7/8"	4'-0 3/4"	11°: H1 = Lu x 0.1944 - 4'-4 7/8"
	4'-4 3/4"	5'-0 5/8"	12°: H1 = Lu x 0.2126 - 4'-5 5/8"
	4'-7 1/8"	5'-3"	10°: H2 = H1 + Lm x 0.1763
<b>D:</b>	4'-7 1/8"	5'-3"	11°: H2 = H1 + Lm x 0.1944
	53'-5 3/4"	49'-2 9/16"	12°: H2 = H1 + Lm x 0.2126
	<b>Lmax.:<sup>1)</sup></b>	53'-5 3/4"	49'-2 9/16"
<b>Hmax.:</b>	30'-6 1/8"	24'-7 1/4"	

1) Calculated on the basis of a deflection of L/750  
 If L > Lmax., an intermediate support may be required; please consult Schindler Intermediate supports (R3) at distances of L/2  
 2) With a double drive, the truss must be extended by 1'-4 7/16"  
 3) Balustrade height 3'-3 3/8". Available upon request.

Dimensions shown are for U.S. applications. For specific requirements in Canada, please consult your local Canadian sales office. Subject to changes. INT = intermediate support



**Schindler**

# Schindler 9500<sup>®</sup> Advanced Edition

## Type 15 / 10°, 11°, 12°-K

**Rise:** max. 24'-7 1/4" at a pallet width of 40"

**Truss:** standard

**Pallet Width:** 32"/40"

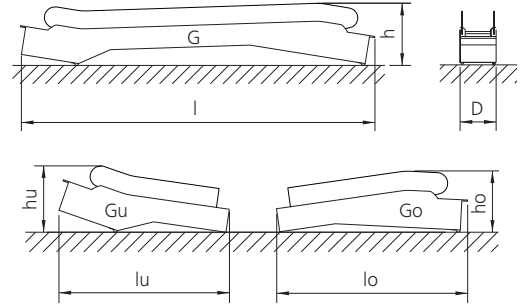
**Balustrade:** Design E/F

**Inclination:** 10°, 11°, 12°

**Horizontal pallet run:** 1'-3 3/4"

**Balustrade Height:** 2'-11 7/16"

Inclination	Rise H (ft)	Length L (ft)	Transport dimensions: balustrade height 48"					
			In one part h (ft) l (ft)*		In two parts			
			Bot. sect. height	Bot. sect. length	Top sect. height	Top sect. length		
10°	6'-0"	47'-6 7/16"	7'-8 1/2"	49'-1"	-	-	-	-
	8'-0"	58'-10 7/16"	7'-8 15/16"	60'-7 3/16"	7'-10 1/8"	30'-1 13/16"	7'-4 3/16"	30'-8 1/8"
	10'-0"	70'-2 5/8"	7'-9 3/16"	72'-1 3/8"	7'-9 3/16"	35'-10 11/16"	7'-5"	36'-5"
	12'-0"	81'-6 13/16"	7'-9 3/16"	83'-7 9/16"	7'-8 15/16"	41'-7 7/8"	7'-5 3/4"	42'-1 7/8"
	14'-0"	92'-10 13/16"	7'-9 3/16"	95'-2 1/8"	7'-8 1/2"	47'-7 1/2"	7'-6 3/16"	47'-11 3/16"
	16'-0"	104'-3"	7'-9 3/16"	106'-8 5/16"	7'-8 1/2"	53'-1 3/8"	7'-6 15/16"	53'-8 1/8"
18'-0"	-	-	-	-	-	-	-	
11°	6'-0"	43'-8 5/16"	7'-8 1/2"	45'-3 3/16"	7'-11 1/4"	22'-6 1/16"	7'-1 13/16"	23'-0 3/4"
	8'-0"	53'-11 5/8"	7'-8 15/16"	55'-9 3/16"	7'-10 1/8"	27'-8 7/16"	7'-3 3/8"	28'-3 3/8"
	10'-0"	64'-3 3/16"	7'-8 15/16"	66'-2 7/8"	7'-9 3/16"	32'-10 7/8"	7'-4 3/16"	33'-5 15/16"
	12'-0"	74'-6 3/4"	7'-9 3/16"	76'-8 7/8"	7'-8 15/16"	38'-1 7/8"	7'-5 3/8"	38'-8 15/16"
	14'-0"	84'-10 1/8"	7'-9 3/16"	87'-2 1/16"	7'-8 15/16"	43'-4 1/2"	7'-5 3/4"	43'-11 15/16"
	16'-0"	95'-1 5/8"	7'-9 3/16"	97'-8 7/16"	7'-8 1/2"	48'-7 1/16"	7'-6 9/16"	49'-2 15/16"
18'-0"	105'-5"	7'-9 11/16"	108'-2 7/16"	7'-8 1/2"	53'-10 1/16"	7'-6 15/16"	54'-5 9/16"	
12°	6'-0"	40'-5 13/16"	7'-8 1/8"	42'-1 1/2"	7'-11 11/16"	20'-10 13/16"	7'-1 1/16"	21'-5 7/8"
	8'-0"	49'-10 5/8"	7'-8 1/2"	51'-8 7/8"	7'-10 1/2"	25'-7 7/8"	7'-3"	26'-3 3/4"
	10'-0"	59'-3 5/8"	7'-8 15/16"	61'-4 1/4"	7'-9 11/16"	30'-5 3/8"	7'-4 3/16"	31'-1 1/4"
	12'-0"	68'-8 9/16"	7'-8 15/16"	70'-11 9/16"	7'-9 3/16"	35'-2 13/16"	7'-5"	35'-10 11/16"
	14'-0"	78'-1 3/8"	7'-8 15/16"	80'-7 9/16"	7'-8 15/16"	40'-0 11/16"	7'-5 3/4"	40'-8 9/16"
	16'-0"	87'-6 3/8"	7'-9 3/16"	90'-2 11/16"	7'-8 15/16"	44'-10 3/16"	7'-6 3/16"	45'-6 1/16"
18'-0"	96'-11 3/16"	7'-9 3/16"	99'-10 1/16"	7'-8 1/2"	49'-7 11/16"	7'-6 9/16"	50'-3 15/16"	



Inclination	Rise H (ft)	Length L (ft)	Pallet width: A = 32"						Pallet width: A = 40"							
			Weight (kips)			Reactions (kips)			Pmot (hp)	Weight (kips)			Reactions (kips)			Pmot (hp)
			Total wt.	Bot. sect. wt.	Top sect. wt.	R1	R2	R3	v = 100 fpm	Total wt.	Bot. sect. wt.	Top sect. wt.	R1	R2	R3	v = 100 fpm
10°	6'-0"	47'-6 7/16"	17.98	-	-	16.19	14.84	-	7.5	19.11	-	-	18.43	17.09	-	7.5
	8'-0"	58'-10 7/16"	19.11	8.54	10.57	8.99	7.19	19.11	7.5	20.46	9.22	11.24	10.12	8.32	22.26	7.5
	10'-0"	70'-2 5/8"	21.58	9.89	11.69	9.89	8.09	22.71	7.5	22.93	10.57	12.36	11.24	9.22	26.53	10.0
	12'-0"	81'-6 13/16"	24.08	11.02	13.04	11.02	8.99	26.30	10.0	25.63	11.91	13.71	12.36	10.34	30.80	15.0
	14'-0"	92'-10 13/16"	26.30	12.04	14.16	11.91	9.89	29.90	10.0	30.12	14.16	15.96	14.16	12.14	35.52	15.00
	16'-0"	104'-3"	30.80	14.39	16.41	13.49	11.69	34.40	15.0	-	-	-	-	-	-	-
18'-0"	-	-	-	-	-	-	-	-	-	-	-	-	-	-	-	-
11°	6'-0"	43'-8 5/16"	17.09	7.64	9.44	15.29	13.94	-	7.5	18.21	8.09	10.12	17.31	15.96	-	7.5
	8'-0"	53'-11 5/8"	18.21	8.09	10.12	8.77	6.74	17.54	7.5	19.33	8.77	10.57	9.67	7.87	20.46	7.5
	10'-0"	64'-3 3/16"	20.46	9.22	11.24	9.44	7.64	20.91	7.5	21.58	9.89	11.69	10.57	7.77	24.28	10.0
	12'-0"	74'-6 3/4"	22.48	10.34	12.14	10.34	7.54	24.28	10.0	24.05	11.02	13.04	11.69	9.67	28.33	10.0
	14'-0"	84'-10 1/8"	24.73	11.47	13.26	11.24	9.22	27.43	10.0	26.30	12.14	14.16	12.59	10.79	32.15	15.0
	16'-0"	95'-1 5/8"	26.98	12.59	14.39	12.14	10.12	30.80	15.0	30.57	14.39	16.19	14.39	12.36	36.42	15.0
18'-0"	105'-5"	31.25	14.61	16.64	13.71	11.69	34.85	15.0	-	-	-	-	-	-	-	
12°	6'-0"	40'-5 13/16"	15.29	6.74	8.54	13.94	12.59	-	7.5	17.54	7.87	9.67	-	15.06	-	7.5
	8'-0"	49'-10 5/8"	18.66	8.32	10.34	16.86	15.51	-	7.5	18.43	8.32	10.12	16.19	7.42	18.88	7.5
	10'-0"	59'-3 5/8"	19.33	8.77	10.57	8.99	7.19	19.33	7.5	20.46	9.22	11.24	9.22	8.32	22.48	10.0
	12'-0"	68'-8 9/16"	21.36	9.67	11.69	9.89	8.09	22.26	10.0	22.71	10.34	12.36	10.12	9.22	26.08	10.0
	14'-0"	78'-1 3/8"	23.38	10.79	12.59	10.57	8.77	25.40	10.0	24.95	11.47	13.49	11.02	10.12	29.67	15.0
	16'-0"	87'-6 3/8"	25.40	11.69	13.71	11.47	9.44	28.33	15.0	26.98	12.59	14.39	12.81	11.02	33.05	15.0
18'-0"	96'-11 3/16"	27.43	12.81	14.61	12.36	10.34	31.25	15.0	31.25	14.61	16.64	14.61	12.59	37.32	15.0	

\*l: max. transport length 62'.

For further information including location of the Schindler office nearest you, please visit:  
[www.us.schindler.com](http://www.us.schindler.com)

North American Headquarters  
 Morristown, New Jersey 07962-1935  
 Tel. 973.397.6500



Schindler prints with soy ink on recycled paper.