

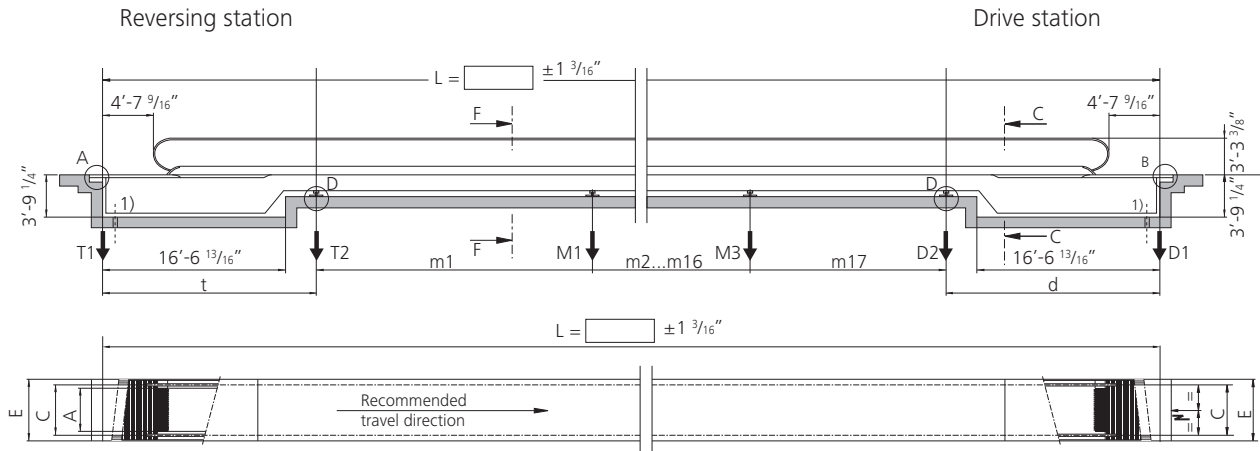
Schindler 9500[®]

Type 30

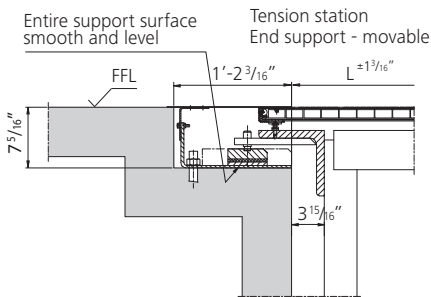
Length: max. 328' at an inclination of 0°
Balustrade: Design E

Balustrade Height: 3'-3³/₈"
Truss: full truss along entire length

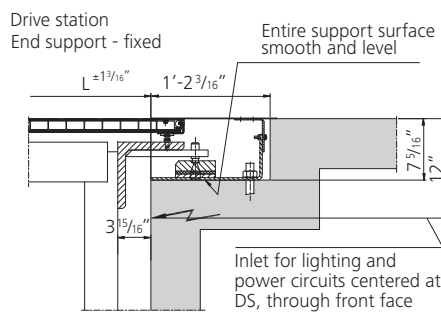
Inclination: 0° – 3°
Pallet Width: 40"/48"/56"



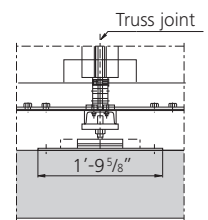
Detail A



Detail B



Detail D



A: Pallet width	40"	48"	56"
B: Width between handrails	3'-9 ⁹ / ₁₆ "	4'-5 ⁷ / ₁₆ "	5'-1 ⁵ / ₁₆ "
C: Handrail center distance	4'-0 ¹¹ / ₁₆ "	4'-8 ⁹ / ₁₆ "	5'-4 ¹ / ₂ "
D: Moving walk width	5'-0 ³ / ₈ "	5'-8 ¹ / ₄ "	6'-4 ¹ / ₈ "
E: Width of pit	5'-3"	5'-10 ⁷ / ₈ "	6'-6 ³ / ₄ "

Dimensions shown are for U.S. applications. For specific requirements in Canada, please contact your local Canadian sales office. Subject to change.



Schindler

Schindler 9500[®]

Type 30

Length: max. 328' at an inclination of 0°
Balustrade: Design E

Balustrade Height: 3'-3³/₈"
Truss: full truss along entire length

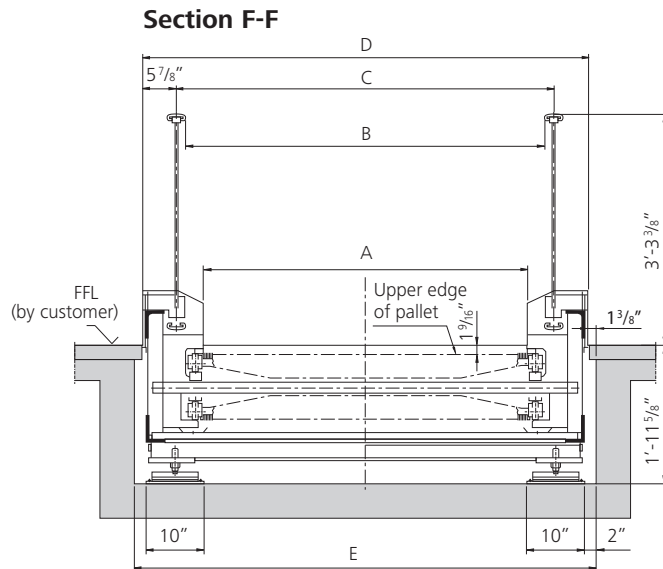
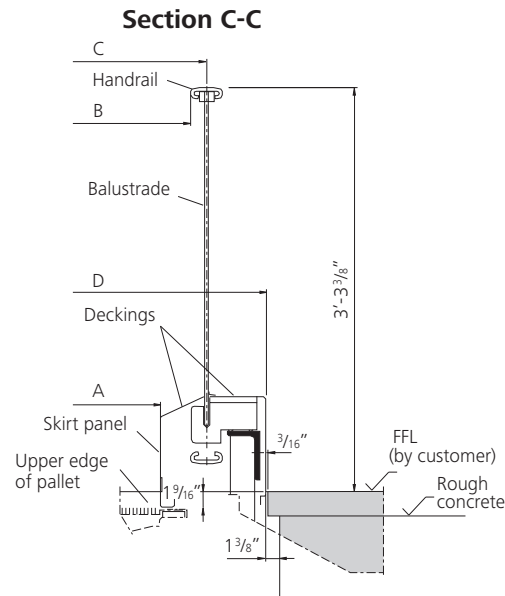
Inclination: 0° – 3°
Pallet Width: 40"/48"/56"

Support distance
 Valid for horizontal installation

Pallet width	40"	48"	56"	
t	min.	19'-4 ⁵ / ₁₆ "	19'-4 ⁵ / ₁₆ "	19'-4 ⁵ / ₁₆ "
	max.	37'-8 ³ / ₄ "	36'-1 ¹ / ₁₆ "	34'-5 ³ / ₈ "
d	min.	19'-4 ⁵ / ₁₆ "	19'-4 ⁵ / ₁₆ "	19'-4 ⁵ / ₁₆ "
	max.	37'-8 ³ / ₄ "	37'-8 ³ / ₄ "	37'-8 ³ / ₄ "
M1 ... M17	min.	18'-10 ⁷ / ₁₆ "	18'-0 ⁹ / ₁₆ "	17'-2 ³ / ₄ "
	max.	37'-8 ³ / ₄ "	36'-1 ¹ / ₁₆ "	34'-5 ³ / ₈ "

Max. reactions on the supports (Kips)²
 Valid only for maximum support distance

Pallet width	40"	48"	56"
T1	9	9	10
T2	28	30	32
D1	11	12	13
D2	28	30	32
M1 ... M17	23	25	27



For further information, including location of the Schindler office nearest you, please contact:

U.S. Headquarters. Morristown, New Jersey
 Toll-Free 877.696.8382
www.us.schindler.com

Canada Headquarters. Toronto, Ontario
 Tel. 416.332.8280
www.ca.schindler.com



Schindler is a member organization of the U.S. Green Building Council.



Schindler has received renewal to ISO 9001 and ISO 14001 certificates.



Schindler prints with vegetable-based ink on paper containing post-consumer waste fiber.



Follow us: