



## Schindler 2500

Perfection means thinking beyond what's necessary. Our bed elevators show what we mean.



# Func



# tionality

The background of the advertisement is a blurred photograph of a hospital room. In the foreground, a metal bed frame is visible. A red stuffed animal, possibly a teddy bear, is sitting on the bed. The background shows a window with a view of a city or urban area, though it is out of focus.

**The Schindler 2500 is sophisticated.**

To the last detail. It fulfills all the demands you could expect in hospitals, clinics, and retirement and nursing homes. An impressively functional solution.



**The Schindler 2500 stands at the ready.**

At all times. It lets you take the safe route.

We permanently monitor the elevator and make it available to specific persons at specific times.

A reliable thing.

# Availa



bility





# Precision

The image shows the interior of a modern elevator car. The walls are made of large glass panels, and the floor is a light-colored material. A blue upholstered seat is visible in the foreground, and a silver handrail runs along the side of the car. The overall atmosphere is clean and professional.

**The Schindler 2500 is precise.**

When starting and riding, and when braking and stopping. You hardly sense any movement during your comfortable ride. A persuasive performance.





# You want to make the right selection. Then don't leave anything to chance.

## **We take it seriously**

You need an efficient bed elevator? One that can withstand a lot and one that functions with absolute reliability? Then the Schindler 2500 is the right choice.

We've designed this particularly effective elevator for the comfortable transportation of patients and those in need of care. For this, it is necessary that it function with absolute precision. So that people can easily enter and exit, and arrive at their destination fast and comfortable.

## **Our spectrum is broad**

We've designed the Schindler 2500 to handle every conceivable bed size. And to allow enough room for those accompanying them. The bed elevator also transports medical equipment in the OP area. With no jarring or shaking.

## **We think pragmatically**

With the Schindler 2500, we rely on consistent system engineering and high standardization. For this reason, we've given this elevator a modular construction. It is based on pre-assembled components that correspond to the latest technology. The elevator's availability is absolutely reliable. Depending upon your needs, the drive may be electromechanical or electro-hydraulic.

## **We guarantee it's a sure thing**

We monitor the system 24 hours a day, 365 days a year. That way, problems can be corrected before they affect you.

## **Our elevator is available for specific purposes**

With high incoming traffic, it's important to ensure the flow of traffic is as efficient as possible. This is where our registered-destination control system does the job. Together with Schindler ID®, the elevator can, if desired, be made available only to specific persons at specific times. There are practically no limits to the ways this proven technology can be configured to meet your needs. It's a sophisticated system that allows the elevator to always be available to those who need it most urgently.

## **We keep our promises**

The Schindler 2500 satisfies all important legal safety regulations and standards.

## **We're available everywhere**

The Schindler 2500 saves you time and money. Predefined components and mandatory data make for ease of planning and short delivery times, for single or multiple systems. The Schindler 2400 and the Schindler 2600 freight elevator also belong to the same platform.

## **Notice**

We reserve the right to make technical modifications and to alter specifications, options and colors.

All cars and options presented in this brochure are intended to serve as representations of our products. Colors and materials as shown may vary from the original.

Car interior: custom, stainless steel brushed

## **Basic data**

Load capacity	1000–4000 kg, 13–53 persons
Travel height	65 meters; max. 21 stops
Entrance	One-sided or two-sided access
Door width	900–2500 mm
Door height	2000–2400 mm
Drive	Roped or hydraulic
Speed	0.4–1.6 meters per second
Control	Collective control for groups up to four; registered-destination control
Equipment	Flexible range of equipment

# When seconds count, reliability and efficiency are what matter.

In modern hospitals specialized medicine is combined with individualized care. The O.L.V.-Ziekenhuis hospital in Aalst, Belgium has an international reputation for researching and curing cardiovascular conditions. The demands for this building were challenging. Energy efficiency, aesthetics and reliability needed to go hand in hand. This is why the O.L.V. hospital chose eight Schindler 2500 bed elevators. When seconds count, this elevator makes sure that patients and staff are transported swiftly and safely. Performance, sustainability and contribution to the building's efficiency – that sets apart the Schindler 2500.

The outstanding medical care combined with the friendly atmosphere of our sustainable building, helps people to recover quickly.



### We support sustainability

Let us make your building more sustainable. We designed the Schindler 2500 to be highly efficient in performance and energy usage. For us every detail counts.

### We care for the environment

The daily operation of a building has the biggest impact on the environment – the same applies to elevators. That’s why we made sure that the Schindler 2500 is energy efficient during operation. Using less energy conserves our natural resources and lowers overall building costs.

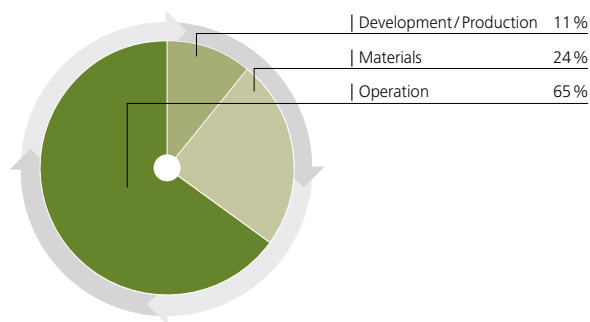
### We focus on efficiency

The Schindler 2500 is a fully engineered, smart system. It is spacious and precise enough to transport beds and people yet uses the minimum energy to do so. All parts are perfectly adjusted to each other. From drives, to controls, to doors and to cabins – each and every component contributes to this elevator’s efficiency.

### We assess our elevators

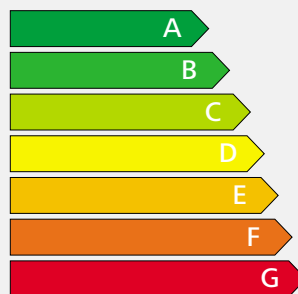
How do you know that this elevator is energy efficient? We measure it. Ratings run by independent third parties show that the Schindler 2500 can provide an energy efficiency classification in the “green” range. It is always good to rely on facts.

### Total environmental impact % by product phase



The energy consumed while an elevator is in service (operation phase) accounts for two-thirds of its environmental impact.

### Energy efficiency classes



The measurement standard is VDI 4707 established in March 2009 by the Association of German Engineers. Energy efficiency classification can vary depending on elevator configuration.

# Flexible yet precise, efficient yet comfortable. That is our understanding of perfection.

## Traction elevator system

The Schindler 2500 can be driven electro-mechanically for loads of 1000 kg to 4000 kg. This traction elevator system is especially suitable for complexes with high levels of traffic and high needs for precision. Where multiple elevators neighbor each other, coordinating them with each other can increase the efficiency of transport. The freight elevators can operate with up to 2.5 tons without a machine room. That saves significant space in buildings.

### Drive

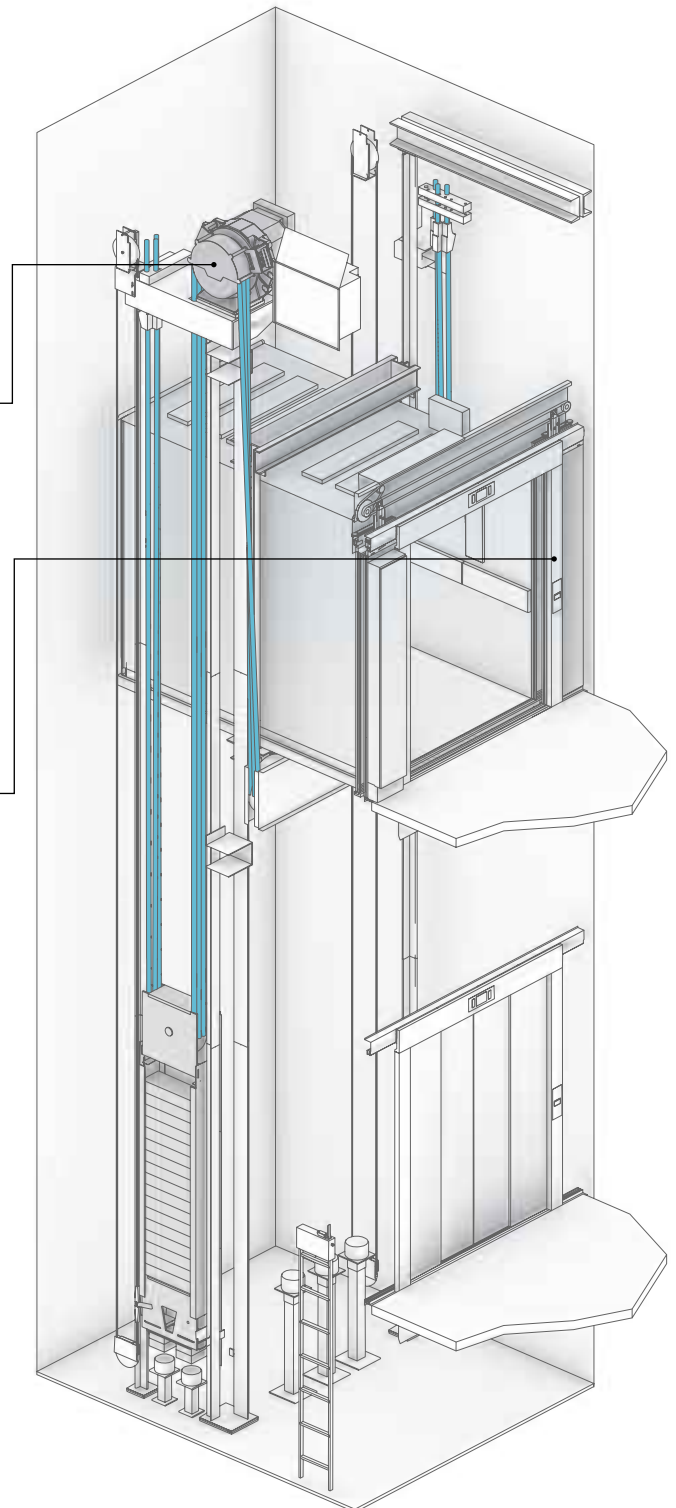
The highly efficient permanent-magnet drive of the Schindler 2500 runs without gears allowing for a smooth, quality ride. Because it is relatively small and functions quietly, it represents the ideal solution for machine room-less elevators. The frequency-controlled drive enables a direct power transfer avoiding a loss of power. By allowing a stable start without a high peak current, it quickly reaches a low energy consumption level.

### Control

The microprocessor control of the Schindler 2500 performs a wide variety of tasks for individual systems as well as for groups of up to four elevators. The system switches the car lights and ventilation into stand-by mode when not in use. Multi-bus control architecture reduces cabling, material and waste. For an efficient and short ride time for passengers, you may select from the following typical control types: Pick-up, up or down collective, or collective/selective control for groups of up to four elevators. The control is built into the top floor next to the landing door, which saves space.

### Destination Control

The Schindler Miconic 10 destination control system is available as a standard option. Passengers select their floor before entering the elevator, this allows them to be grouped according to their destination. The result for the building is clear – energy savings and a significant improvement in traffic management.



Machine room-less traction elevator



## Hydraulic elevator system

The Schindler 2500 can be driven electro-hydraulically with a load of 1000 kg to 4000 kg. The hydraulic elevator system offers an extraordinarily economical solution for low rise buildings up to 18 m, particularly for single applications and for transporting heavy loads.

### Drive

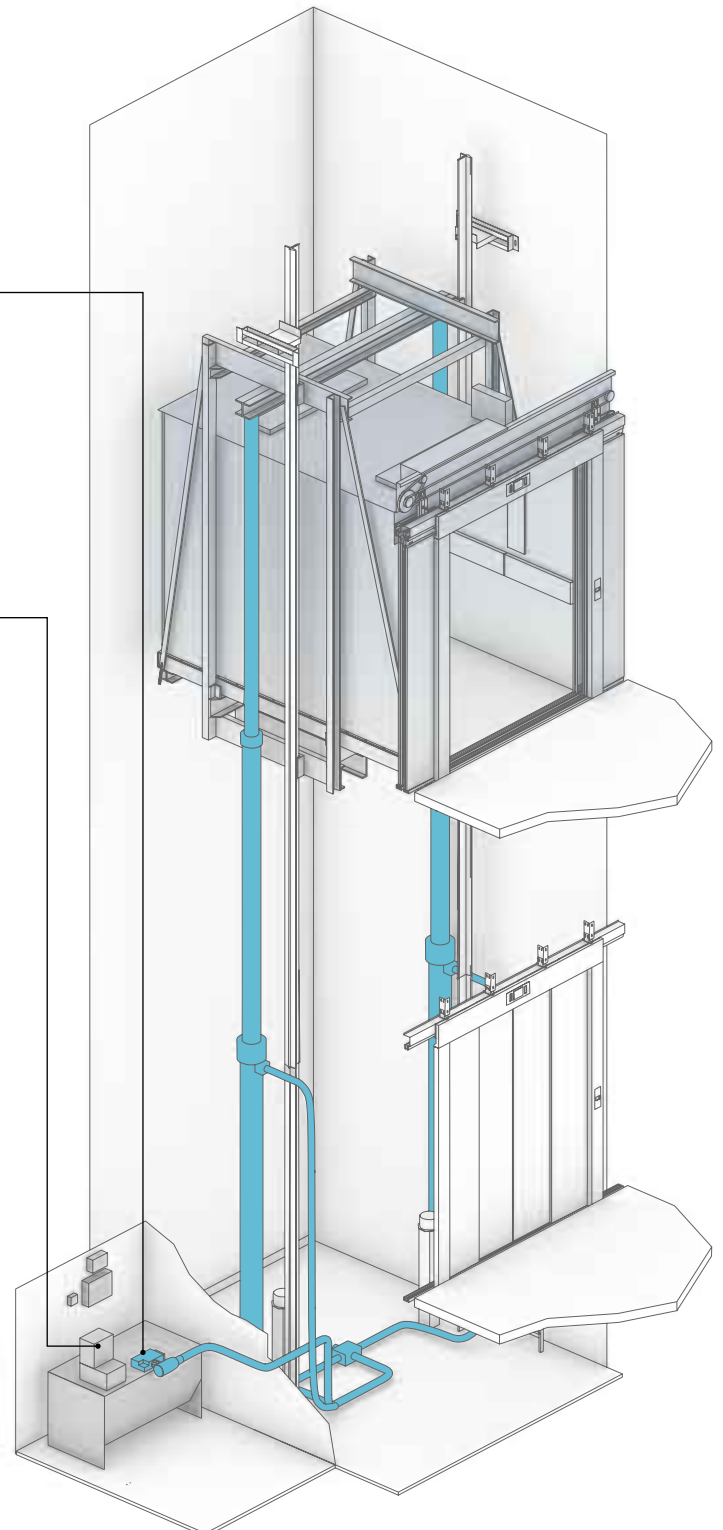
The Schindler 2500 possesses a unique drive system. It consists of a pump unit and an electronically controlled valve. Combined with the integrated control, it reliably fulfills high demands and provides an extraordinarily comfortable ride. The drive achieves excellent stopping accuracy. The hydraulic version of the Schindler 2500 also displays low energy consumption.

### Control

The specially designed microprocessor control is suitable for a wide variety of needs and uses. It offers regulated control, which produces short ride times. You may select from the following typical control types: Pick-up, up or down collective, or collective/selective control for groups of up to four elevators. More than 100 control features are available as standard options.

### Access control

The Schindler 2500 possesses access-control systems. Passenger or cargo transport can be controlled according to specific needs – such as by a key switch or card reader, for example.



Tandem hydraulic drive

# Big things often start small. Take a close look at our dimensions.

Drive	Load capacity		Speed	Travel height max.		Number of stops max.		Nominal rating	Nominal current	Car			Door		Shaft	
	GQ kg	Passengers max.		VKN m/s	HQ m	ZE	* <sub>3</sub> PMN kW			* <sub>3</sub> INN A	* <sub>4</sub> BK mm	* <sub>4</sub> TK mm	* <sub>4</sub> HK mm	Type	* <sub>5</sub> BT mm	* <sub>5</sub> HT mm
<b>Traction*</b> <sup>1</sup>	1000	13	1.0	50	21	10.8	23	1000–1150	2000–2300	2100–2500	T2/C2	900–1000	2000–2400	1500	HK + 1500	
			1.6	65		18.9	30							1700	HK + 1650	
	1275	17	1.0	50	21	10.8	29	1100–1400	2000–2600	2100–2500	T2/C2/C4	900–1300	2000–2400	1500	HK + 1500	
			1.6	65		18.9	36							1700	HK + 1650	
	1600	21	1.0	50	21	10.8	30	1200–1700	2000–2900	2100–2500	T2/C2/C4	900–1600	2000–2400	1500	HK + 1500	
			1.6	65		22.8	43							1700	HK + 1650	
	2000	26	1.0	50	21	14.2	37	1400–2000	2000–2950	2100–2500	T2/C2/C4/C6	1000–1900	2000–2400	1500	HK + 1500	
			1.6	50		22.8	49							1700	HK + 1650	
	2500	33	1.0	50	21	25.0	43	1400–2300	2050–3500	2100–2500	T2/C2/C4/C6	1000–2200	2000–2400	1700	HK + 1700	
	3000	39	1.0	24	21	25.0	49	1500–2300	2350–3800	2100–2500	C2/C4/C6	1000–2200	2000–2400	1700	HK + 1700	
3200	42	1.0	24	21	25.0	49	1700–2400	2350–3500	2100–2500	C2/C4/C6	1200–2300	2000–2400	1700	HK + 1700		
3500	46	1.0	24	21	25.0	53	1800–2400	2550–3600	2100–2500	C4/C6	1400–2300	2000–2400	1700	HK + 1700		
4000	53	0.8	24	21	22.8	53	1800–2500	2800–4000	2100–2500	C4/C6	1400–2400	2000–2400	1700	HK + 1700		
<b>Hydraulic Rucksack*</b> <sup>2</sup>	1000	13	0.63	18	8	16.0	38	1100–1150	2000–2300	2100–2500	T2/C4	900–1100	2000–2400	1450	HK + 1300	
	1275	17	0.63	18	8	20.0	45	1100–1400	2000–2600	2100–2500	T2/C4	900–1400	2000–2400	1450	HK + 1300	
	1600	21	0.63	18	8	33.0	73	1200–1700	2000–2900	2100–2500	T2/C4	900–1600	2000–2400	1450	HK + 1300	
	2000	26	0.40/0.63			40.0	86	1400–1500	2000–2950	2100–2500	T2/C4	1000–1400	2000–2400	1450	HK + 1300	
<b>Hydraulic Tandem*</b> <sup>2</sup>	2000	26	0.40/0.63	18	8	40.0	86	1550–2000	2000–2600	2100–2500	T2/C2/C4	1000–1900	2000–2400	1150	HK + 1300	
	2500	33	0.40/0.63	18	8	40.0	86	1400–2300	2050–3500	2100–2500	T2/C2/C4	1000–2200	2000–2400	1250	HK + 1300	
	3000	39	0.40/0.63	18	8	47.0	98	1500–2300	2350–3800	2100–2500	C2/C4/C6	1000–2200	2000–2400	1250	HK + 1300	
	3200	42	0.40/0.63	18	8	47.0	98	1700–2400	2350–3500	2100–2500	C2/C4/C6	1200–2300	2000–2400	1250	HK + 1300	
	3500	46	0.40/0.63	18	8	60.0	123	1800–2400	2550–3600	2100–2500	C4/C6	1400–2300	2000–2400	1250	HK + 1300	
	4000	53	0.40/0.63	18	8	60.0	123	1800–2500	2800–4000	2100–2500	C4/C6	1400–2400	2000–2400	1250	HK + 1300	

GQ Load capacity  
VKN Speed  
HQ Travel height  
ZE Number of stops  
PMN Nominal rating  
INN Nominal current

\*<sup>1</sup> With or without machine room  
\*<sup>2</sup> Machine room under, over, or to the side; max. 10 m from shaft  
\*<sup>3</sup> Maximum values

BK Car width  
TK Car depth  
HK Car height

\*<sup>4</sup> Car dimensions in 50-mm increments, the maximum allowed car area according to EN81 must be considered

T2 Telescopic door, two-part  
C2 Center-opening telescopic door (two-part)  
C4 Center-opening telescopic door (four-part)  
C6 Center-opening telescopic door (six-part)  
BT Door width  
HT Door height

\*<sup>5</sup> Door dimensions in 100-mm increments

HSG Shaft pit depth  
HSK Clear overhead below lifting beam

\*<sup>6</sup> Minimal values, in hydraulic variation must be increased in measure according to the configuration

Max. number of entrances: 2, opposing  
Number of rides (rope): 180 per hour  
Number of rides (hydraulic): 30/60 per hour  
Power supply: 400 V; optional 230 V

Shaft width/depth: In the planning section on pages 20–23, ranges shown reflect typical elevator situations.

Schindler 2500 elevators are not designed for trolleys with heavy loads

**Car**

We construct the car according to your specifications – width, depth and height – so that your bed sizes fit perfectly. Car frames make the car extraordinarily stable.

**Door**

We construct the ideal door for your needs – with two, four, or six panels. They efficiently exploit the width of the shaft and, if desired, can be made exactly as high and as wide as the car. This produces a number of advantages. Guiding beds in and out is convenient. This also avoids damage to the doors. And the opening and closing speed of the doors can be adjusted.

**Standards**

The Schindler 2500 is certified according to the Lift Directive 95/16/EC. In addition, it fulfills all relevant standards:

- EN81-28 Remote emergency calling system for passenger and cargo elevators
- EN81-58 Fire-resistant landing doors
- EN81-70 Accessibility of passenger elevators


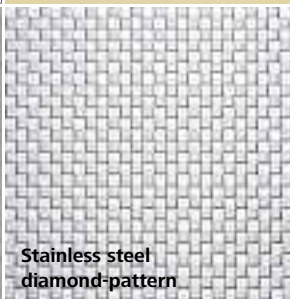


**Environment**

The Schindler 2500 meets the requirements of ISO 14001. Both the traction and the hydraulic versions display very good energy consumption values. For the hydraulic elevators, a drive system can be selected as a standard feature, which has significantly lower energy consumption when compared with conventional hydraulic aggregates.



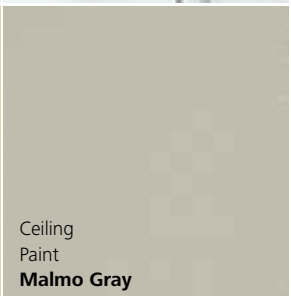
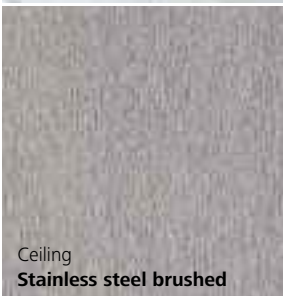
**Monitoring**

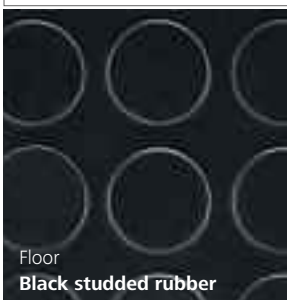

The Schindler 2500 is permanently monitored from our headquarters, 24 hours a day and 365 days a year. Problems are corrected preventatively.

<p>Walls Car doors</p>	 <p>Skinplate/paint <b>Catania Yellow</b></p>	 <p>Skinplate/paint <b>Malmo Gray</b></p>	 <p>Skinplate/paint <b>Lübeck Blue</b></p>	 <p>Skinplate/paint <b>Aberdeen Green</b></p>
----------------------------	-----------------------------------------------------------------------------------------------------------------------------------	-------------------------------------------------------------------------------------------------------------------------------	---------------------------------------------------------------------------------------------------------------------------------	-------------------------------------------------------------------------------------------------------------------------------------

 <p><b>Stainless steel brushed</b></p>	 <p><b>Stainless steel diamond-pattern</b></p>	 <p><b>Stainless steel linen</b></p>		
------------------------------------------------------------------------------------------------------------------------	---------------------------------------------------------------------------------------------------------------------------------	-----------------------------------------------------------------------------------------------------------------------	------------------------------------------------------------------------------------	--



<p>Ceiling Floor</p>	 <p>Ceiling Paint <b>Trondheim White</b></p>	 <p>Ceiling Paint <b>Catania Yellow</b></p>	 <p>Ceiling Paint <b>Malmo Gray</b></p>	 <p>Ceiling <b>Stainless steel brushed</b></p>
--------------------------	-----------------------------------------------------------------------------------------------------------------------------------------	----------------------------------------------------------------------------------------------------------------------------------------	-------------------------------------------------------------------------------------------------------------------------------------	-----------------------------------------------------------------------------------------------------------------------------------------

 <p>Floor <b>Black studded rubber</b></p>	 <p>Floor <b>Black structured rubber</b></p>	 <p>Floor <b>Aluminum treadplate</b></p>		
---------------------------------------------------------------------------------------------------------------------------------	-------------------------------------------------------------------------------------------------------------------------------------	---------------------------------------------------------------------------------------------------------------------------------	--------------------------------------------------------------------------------------	--



# We take in the most important information with our eyes. Look closely.

The medical and health care industry demands functionality, above all else. We have therefore placed great value on functionality, user-friendliness and robustness, and have designed the car's equipment to be highly durable.

You select and combine the standard materials and colors exactly as you like and need. Upon request, we can also offer other colors or materials at similar delivery and price conditions.

For car walls and doors, you can choose from the standard choices of stainless steel, paint or skinplate, in Catania Yellow, Malmö Gray, Lübeck Blue, and Aberdeen Green. Walls as well as doors may be partially or completely made of glass if desired. Landing doors are painted or are constructed from stainless steel.

Especially in the health care industry, floors must be easy-care and nonslip. The bed elevator is therefore equipped with black studded or structured rubber flooring. If desired, we can also equip your elevator with treadplate or stone flooring.

Suspended ceilings that are painted or made from brushed stainless steel provide a bright, friendly atmosphere. The indirect lighting won't blind patients.

# Refined simplicity. In our accessories as well.

## **Car and floor button control panels**

The control panels in the car of the Schindler 2500 stretch to the entire height of the car. It is installed flush with the car wall, which protects it from the damage that can occur when entering or exiting with beds. Optional handicapped-accessible button control panels for cars with voice-messaging are also available.

The car and floor-button control panels are constructed from brushed stainless steel. The button control panels in the car are also available in anthracite.

Hall control panels and floor indicators are mounted flush with the wall or into the door frame. The indicators can also be ordered with a gong sound.

## **Protective strips**

The car is equipped with protective strips around its circumference.

They are constructed from

- black plastic,
- brushed stainless steel, or
- are specially constructed according to your wishes.

The baseboards for covering ventilation louvers in the floor are made of brushed stainless steel, and are included as standard equipment.

## **Thresholds**

Car and landing door thresholds made of brushed stainless steel are available as an option.

## **Handrails**

For safety, the bed elevator can be equipped with handrails. They are

- straight or
- bent, and
- are made of brushed stainless steel.

Upon request, we will install a fold-up seat in your car.

**Overview of control panels**



Floor level indicators  
- Standard



In-car fixtures,  
stretched to the entire car height  
- Stainless steel  
- Anthracite



Hall fixtures,  
individually configurable  
- 2-element  
- 5-element

Schindler ID®/Miconic 10



Handrail of stainless steel, curved finish



# The data is available. So that you can set the standard.

Machine-room-less traction elevator with frequency-controlled drive  
1000–4000 kg load capacity; 13–53 persons

Drive	Load capacity		Passengers max.	Speed	Number of entrances			Door			Shaft			
	GQ kg	VKN m/s			BK mm	TK mm	HK mm	Type	BT mm	HT mm	BS mm	TS mm	HSG mm	HSK mm
Traction	1275	17	1.0	1	1200	2300	2300	T2	1100	2100	2150	2750	1500	3800
				2								2910		
	1600	21	1.0	1	1400	2400	2300	T2	1100	2100	2250	2850	1500	3800
				2								3010		
	2000	26	1.0	1	1500	2700	2300	C4	1400		2350	2980		
				2		2450						3260		
	2500	33	1.0	1	1800	2700	2300	C4	1300	2100	2350	3150	1500	3800
				2		2650						3230		
	3500	46	1.0	1	2100	3000	2300	C4	1600	2100	2950	3150	1700	4000
				2		2700						3260		
	4000	53	0.8	1	2300	3000	2300	C6	2200	2200	3500	3500	1700	4000
				2								3790		

GQ Load capacity  
VKN Speed  
H<sub>Q</sub> Travel height  
HE<sub>min</sub> Minimal interfloor distance

BK Car width  
TK Car depth  
HK Car height

T2 Telescopic door  
C4 Center-opening telescopic door (four-part)  
BT Door width  
HT Door height

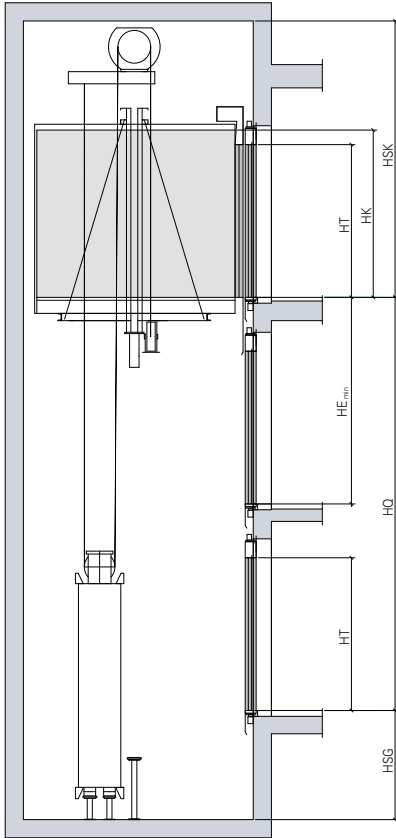
BS Shaft width  
TS Shaft depth  
HSG Shaft pit depth  
HSK Clear overhead below lifting beam

HE<sub>min</sub> = HT + 740 mm for one-sided entrances  
HE<sub>min</sub> = 300 mm for staggered opposite entrances

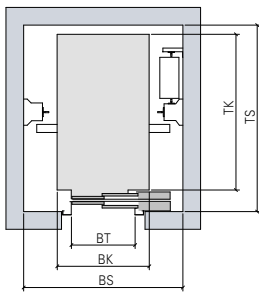
For further details, such as offers, construction plans and prices, please contact our sales department directly.



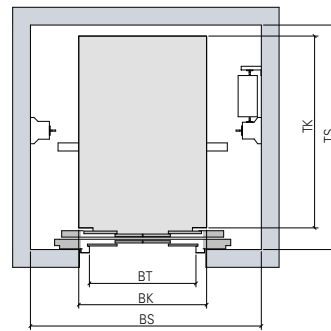
## Height and plan view



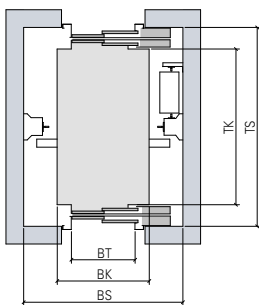
One-sided entrance



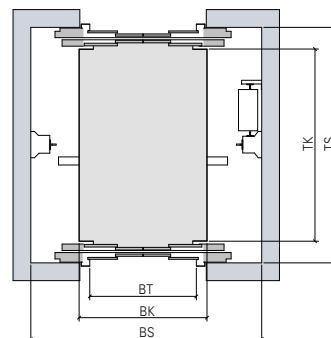
One-sided entrance  
Telescopic door



One-sided entrance  
Center-opening telescopic door (four-part)



Two-sided entrance  
Telescopic door



Two-sided entrance  
Center-opening telescopic door (four-part)

# The direct way is the quickest way. Discover it for yourself.

Hydraulic elevator with machine room  
1000–4000 kg load capacity; 13–53 persons

Drive	Load capacity		Passengers max. Speed	Number of entrances			Door				Shaft			
	GQ kg	VKN m/s		BK mm	TK mm	HK mm	Type	BT mm	HT mm	BS mm	TS mm	HSG mm	HSK mm	
<b>Hydraulic Rucksack</b>	1275	17	0.63	1	1200	2300	2300	T2	1100	2100	2250	2750	1450	3600
				1				C4			2000			
				2								2910		
				2		2400			1200		2050	2930		
	1600	21	0.63	1	1400	2400	2300	T2	1100	2100	2050	2850	1450	3600
				2								3010		
				2		2450		C4	1400		2400	2980		
	2000	26	0.40	1	1500	2700	2300	T2	1300	2100	2300	3150	1450	3600
				2		2650						3260		
			2		2700		C4	1500		2650	3230			
<b>Hydraulic Tandem</b>	2000	26	0.40	1	1500	2700	2300	C4	1300	2100	2400	3150	1150	3600
				2		2650						3260		
				2		2700			1500		2500	3230		
	2500	33	0.40	1	1800	2700	2300	C4	1600	2100	2800	3150	1250	3600
				2		2650						3260		
				2		2700			1800		2950	3230		
	3500	46	0.40	1	2100	3000	2300	C4	2000	2200	3250	3450	1250	3600
				2								3610		
	4000	53	0.25	1	2300	3000	2300	C6	2200	2200	3300	3500	1250	3600
			2								3790			

GQ Load capacity  
VKN Speed  
HQ Travel height  
HE<sub>min</sub> Minimal interfloor distance  
BO Width of machine room  
TO Depth of machine room

BK Car width  
TK Car depth  
HK Car height

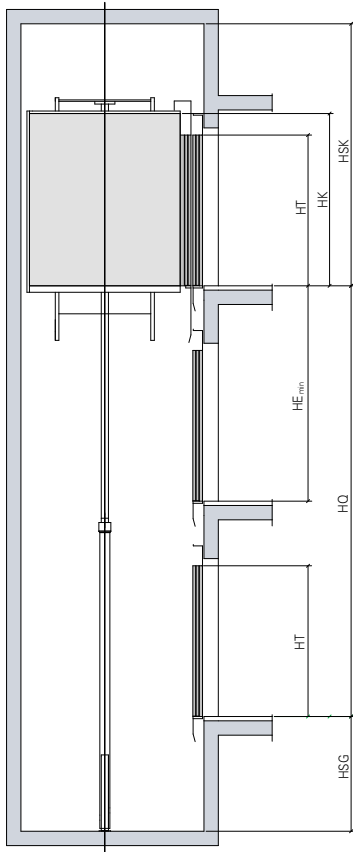
T2 Telescopic door  
C4 Center-opening telescopic door (four-part)  
BT Door width  
HT Door height

BS Shaft width  
TS Shaft depth  
HSG Shaft pit depth  
HSK Clear overhead below lifting beam

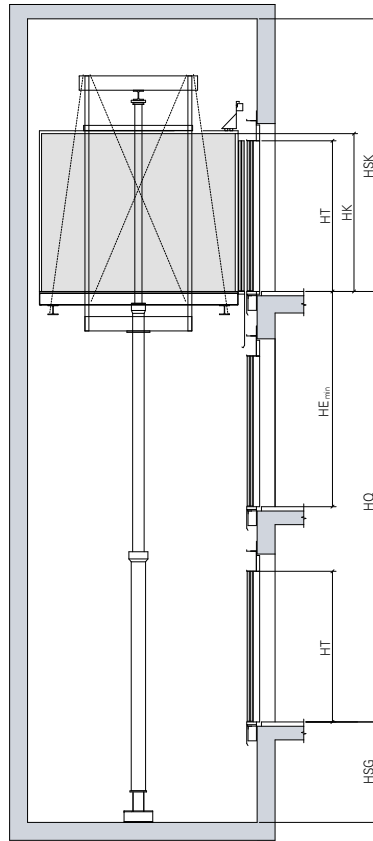
HE<sub>min</sub> = HT + 740 mm for one-sided entrances  
HE<sub>min</sub> = 300 mm for staggered opposite entrances

For further details, such as offers, construction plans and prices, please contact our sales department directly.

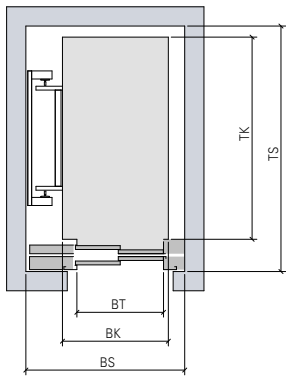
**Height and plan view**



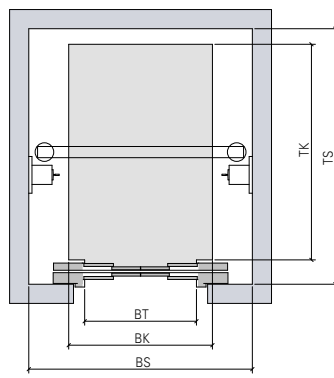
One-sided entrance  
Rucksack system



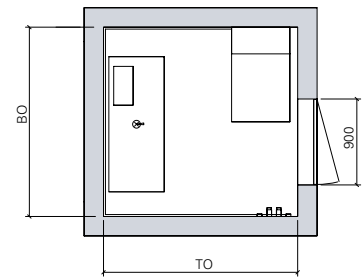
One-sided entrance  
Tandem system



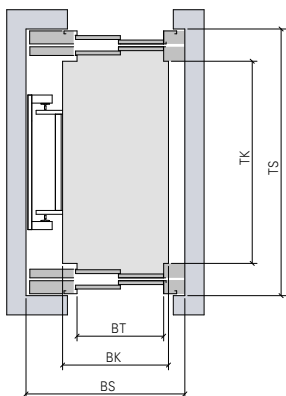
One-sided entrance  
Telescopic door



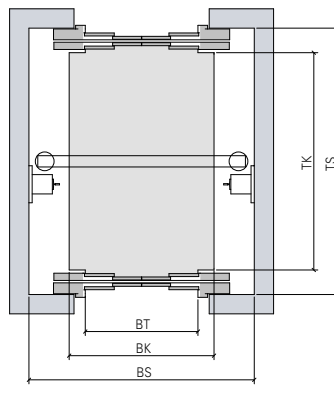
One-sided entrance  
Center-opening telescopic door (four-part)



Machine room



Two-sided entrance  
Telescopic door



Two-sided entrance  
Center-opening telescopic door (four-part)

# Distance is a matter of opinion. That's why we're always nearby.

For further information including the location  
of the distributor nearest you, please visit:

[www.schindler.com](http://www.schindler.com)