

Making the right decision has never been easier. We're glad to be part of it.

Schindler Management
 PLM-MOD
 Zugerstrasse 13
 6030 Ebikon
 Switzerland

Phone: +41 41 445 31 31
 Fax: +41 41 445 39 11

www.schindler.com



Schindler Smart MRL® comfort package
 Step up to a new level of silence,
 availability and safety.

According to EN 81-20/50
 New European standards

PLM-MOD-SMARTEN 07.17

Schindler Modernization



Schindler



Find more information on
 Schindler products.

Use a QR code scanner to read
 the code – available as free
 mobile app in your app store.

This publication is for general informational purposes only and we reserve the right at any time to alter the product design and specifications. No statement contained in this publication shall be construed as a warranty or condition, expressed or implied, as to any product, its fitness for any particular purpose, merchantability, quality or shall be interpreted as a term or condition of any agreement regarding the products or services contained in this publication. Minor differences between printed and actual colours may exist.

Comfort

Schindler's new state-of-the-art drive reduces noise and vibration for a smoother ride. With accurate starting and stopping, plus new door technology to ensure fluid opening and closing, you'll discover a whole new level of comfort.

Availability & Safety

Every new component is tried and tested for highest reliability. That means the elevator will be ready for use when you need it. All new Schindler components comply with the latest safety regulations – update your elevator to today's standards*.

Green mobility

Cutting-edge modern technology takes energy efficiency to a new level. The high-performance drive, energy-saving standby mode and optional LED lighting all contribute to reducing your elevator's environmental impact, as well as its operating costs.

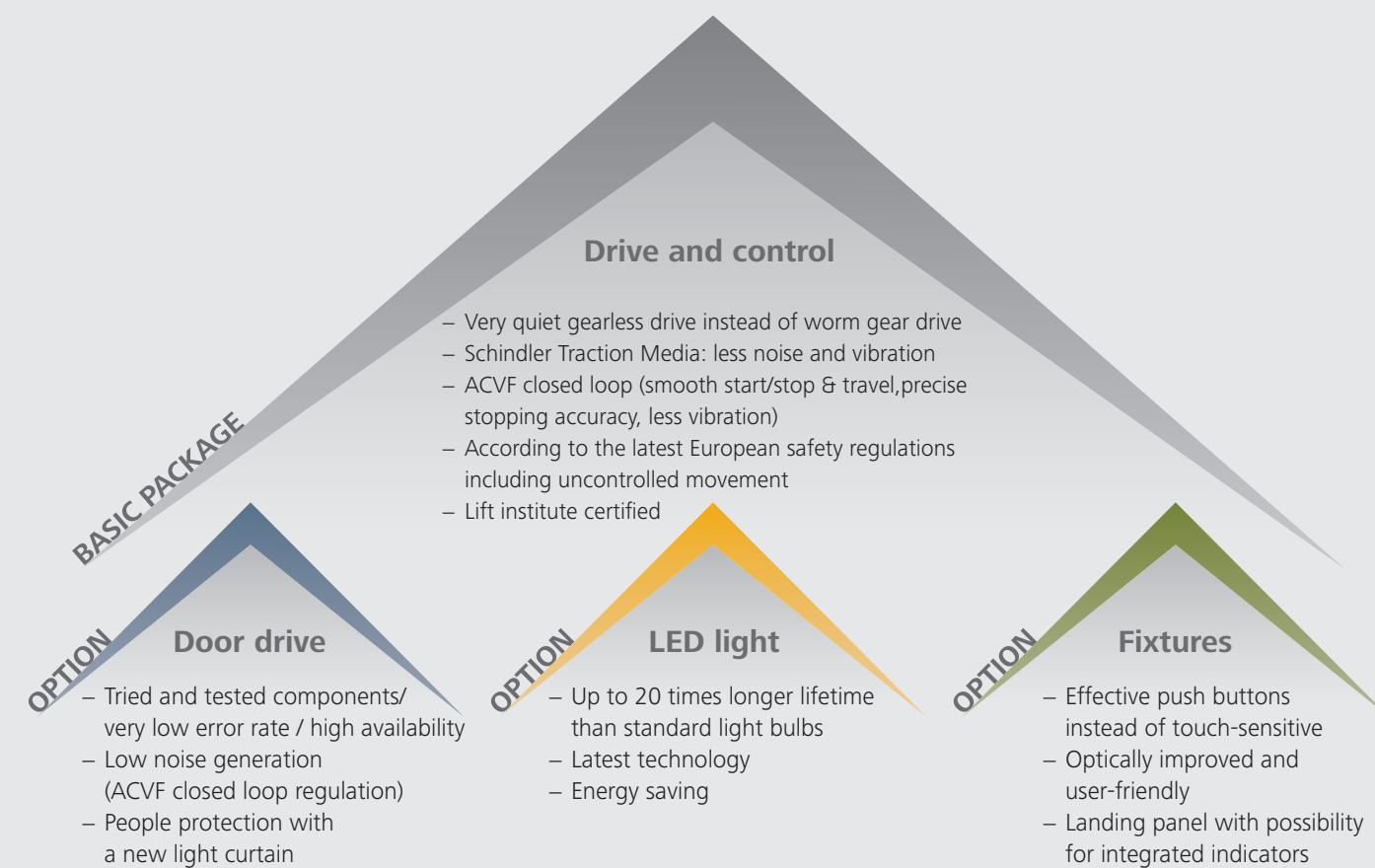
Key Specifications

Rated load	320 / 450 / 630 / 1000 kg
Speed	1.0 m/s
Drive type	gearless with Schindler Traction Media
Drive regulation	variable frequency regulation with closed loop
Door drive	ACVF regulation

*only the modernized part

Customize your comfort package

The basic drive and control package significantly improves your elevator's performance. To further enhance comfort, availability and energy efficiency, we optionally recommend also installing a new door drive, stainless steel door panels, a light curtain, LED lighting and fixtures.



The smart, silent way to move up

Enjoy the silence

Thanks to its new drive, the Schindler Smart MRL® comfort package can reduce the noise level substantially. Current noise levels of up to 62dB will be reduced to far below 55dB.*



62 dB - radio noise



52 dB - quiet sleep

A smart move

Why install the Schindler Smart MRL® comfort package?

For all the following reasons:

- it secures the long-term value of your elevator and building
 - it offers a new level of performance - less vibration and maximum availability
 - it is fast to install minimizing disturbances.
- Lift your SMART MRL elevator to the next level.

*depending on installation and shaft conditions

Key features and options

Drive

- Schindler semi-gearless drive enables superior ride comfort and highly accurate stopping
- Schindler Traction Media with synthetic coating on steel wires for a quiet travel
- ACVF (variable voltage/variable frequency) closed loop regulation guarantees smooth, reliable and ecologically sound operation
- Double disk brake direct on traction sheave for increased safety
- Stopping accuracy ± 5 mm



Schindler Traction Media

Control

- CO BX control – Schindler's well proven modernization control with standby mode
- Door preopening*
- Voice announcement*
- Penthouse control*
- Automatic evacuation*
- Remote Monitoring*



CO BX control

Door Drive*

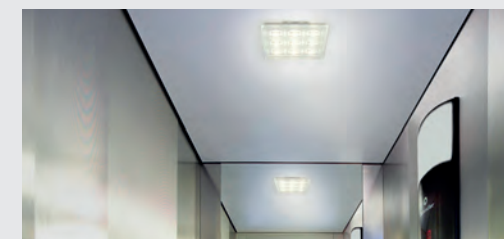
- ACVF frequency regulated door drive very robust, silent and smooth operation
- Preopening doors* for fast entry/exit
- User safety though light curtain (if not yet installed)



Door drive unit

Light*

- High efficiency LED
- Extremely long service life



Square LED lighting

*optional

Car operating panel/ Landing operating panel*

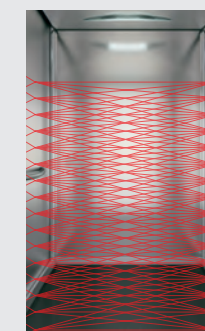
- Schindler FI GS car and landing operating panel
- Surface mounted
- User friendly operation
- Timeless design in brushed stainless steel
- Complies with European safety standards
- Excellent price/performance ratio
- Landing panels with or without floor and direction indicator



FI GS car and landing operating panel

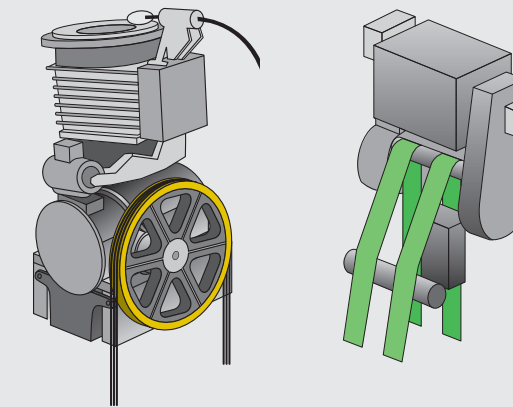
Light Curtain*

- Protect users from door closing
- Contact less door reopening
- Large protection range



Green mobility

Elevator technology never stands still. So it pays to invest in the future, with the Schindler Smart MRL® comfort package. It significantly improves your elevator's overall energy efficiency*. So while performance goes up, your building's operating costs and ecological footprint come down.



Modern technology for greater efficiency

The Schindler Smart MRL® comfort package upgrades your elevator with the smartest new technology. Its compact drive requires less power due to the smaller traction sheave and the Schindler Traction Media leading to a much higher efficiency than the old worm gear drive. This means higher performance with lower energy consumption. What's more, no oil is required.



Smart LED lighting

LED bulbs have an extremely long service life. They last up to 20 times longer than standard light bulbs while consuming less energy. A bright solution for passengers and the environment.



Sleep mode

When not in use, an elevator upgraded with the Schindler Smart MRL® comfort package including the new Miconic BX control goes into sleep mode, reducing energy consumption. However, starting is without any delay.

*Energy consumption of individual installations depends on various factors, e.g. customer options and configuration.